



*Hydraulic Filters
& Strainers*



*Hydraulic
Tank Accessories*



*Pressure
Gauges*

**FLUID
POWER**



The goal of Lenz is to help our Distributors, OEM's and customers succeed by providing the best hydraulic engineered products. Building upon this determination, we've enhanced the Lenz catalogs and our website to feature even more detailed information for ease of specifying and ordering. We at Lenz feel our new catalog and website are easier to navigate, read and understand our products.

We will continue to add new innovative hydraulic products to our product line.

We hope you'll agree we have succeeded in these pursuits.

Lenz

Hydraulics with a Global Reputation



**P.O. Box 1044 Dayton, Ohio 45401-1044
3301 Klepinger Road Dayton, Ohio 45406
PHONE: 937/277-9364 FAX: 937/277-6516 www.lenzinc.com**

LENZ

FILTRATION



Spin On Canister Filters
Tank Mounted Filters
Tank Mounted with Breather
Tank Mounted Strainers
Medium Pressure Filter

Diffusers
Suction Strainers
Disc Strainers
Disc Diffusers
SAE Weld Couplings



SERIES	FILTRATION	SECTION A Page	
SF	Product Overview Photo		
	Product Overview Index		
CP-250/380	Return Line Canister Filter	1a	New Models
CP-500/750/1010	Suction & Return Canister Filter	2a-3a	New Elements
CP-1280	Suction & Return Canister Filter	4a-5a	New Elements
CP-1500/1520	Suction & Return Canister Filter	6a-7a	New Models
DH	Heavy Duty Line Filters	8a-9a	New Elements
LIT	In Tank Filters	10a-11a	New Models
LITB	In Tank Filter w Breather	12a-13a	New Models
49, N49	Sump Strainers	14a	New Models
LTM, LTMA	Tank Mount Strainers	15a	
LTMAB	Tank Mount Strainers	16a	New Models
LW-BA	SAE Half Coupling	16a	New Models
LTF	Threaded Tank Mount Strainer	17a	New Model
AN-WB	SAE-NPT Threaded Coupling	17a	New Models
LTMD	Tank Mount Diffusers	18a	
LDFD	Diffusers	18a	New Models
L-G	Disc Sump Strainer	19a	
ML-G	Magnetic Sump Strainer	20a	
MD	Magnetic Disc Strainer	20a	
R	Return Line Sump Disc Diffusers	21a	
	Filter Mesh Chart	22a	





Canister Filter

Return Line Applications

CP-250/380, CPA-380

Specifications

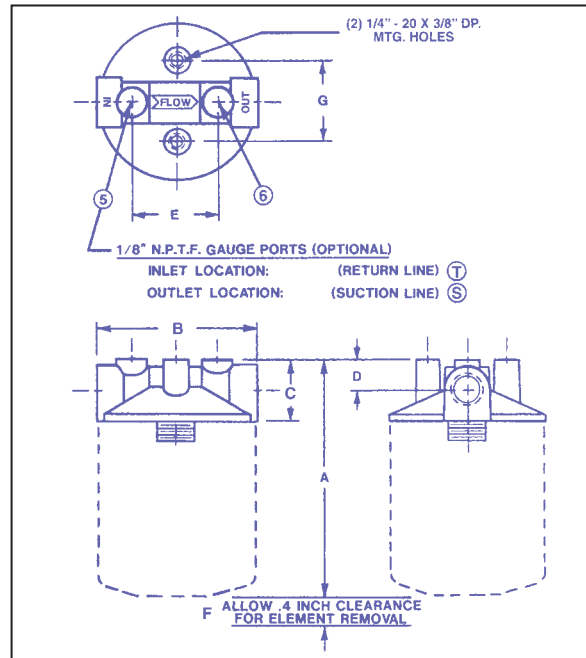
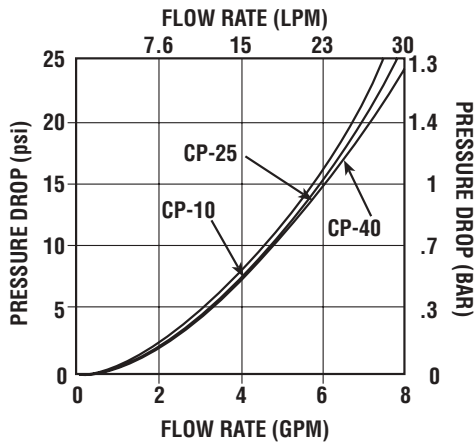
- Working pressure 200 PSI (14 Bar)
- Operating Temperatures -25° F to +212° F (-32° C to +100° C)
- Flows to 7 GPM (26 LPM) Return
- Flows to 2 GPM (7 LPM) Suction
- Die Cast Aluminum casting
- Buna Seals
- For use with petroleum based fluids
- Maximum pressure differential 80 PSI (5 Bar)
- By pass in filter elements
- .90 lbs shipping weight

Options

- NPT or SAE ports
- Indicator ports
- 10, 25, 40 micron elements
- 0, 18, 25 PSI Bypass options



CP-250
CP-380
CPA-380



Dimensional Detail

MODEL	PORT		A	B	C	D	E	F	G
CP-250	1/4" NPT	IN	4.5	3.1	1.13	0.6	1.60	0.4	1.5
		MM	114.3	78.7	28.7	14.2	41.7	10.2	38.1
CP-380	3/8" NPT	IN	4.5	3.1	1.13	0.6	1.60	0.4	1.5
		MM	114.3	78.7	28.7	14.2	39.1	10.2	38.1
CPA-380	9/16"-18 SAE	IN	4.5	3.1	1.13	0.6	1.60	0.4	1.5
		MM	114.3	78.9	28.7	14.2	39.1	10.2	38.1

Ordering Code

CPA - 380 - 1018 - *

SERIES	ELEMENTS		INDICATOR PORTS	
CP-NPT	1000	10 MIC. NO BYPASS	OMIT	NONE
CPA-SAE	1018	10 MIC. 18 PSI BYPASS	T	1/8 NPT RETURN
	1025	10 MIC. 25 PSI BYPASS	S	1/8 NPT SUCTION
SIZE	2510	25 MIC. 10 PSI BYPASS		
	2525	25 MIC. 25 PSI BYPASS		
	4000	40 MIC. NO BYPASS		
	4018	40 MIC. 18 PSI BYPASS		

For Indicators See Page 3a

Filter Elements

MODEL NUMBER	MICRON RATING	BYPASS	AVG BETA	AREA IN ²	AREA CM ²	ELEMENT THREAD
CP-1000	10	NONE	2	126	818	3/4"-16 UNF
CP-1018	10	18	2	113	733	3/4"-16 UNF
CP-1025	10	25	2	113	733	3/4"-16 UNF
CP-2510	25	18	2	129	838	3/4"-16 UNF
CP-2525	25	25	2	129	838	3/4"-16 UNF
CP-4000	40	NONE	2	126	838	3/4"-16 UNF
CP-4018	40	18	2	126	818	3/4"-16 UNF





Canister Filters/Disposable Type

Suction or Return Line Application
Model Series-CP (N.P.T. & S.A.E. Ports)

CP-500, 750, 1000, 1010, 1030

Specifications

- Working pressure 200 PSI (14 Bar)
- Operating Temperatures -22° F to +212° F (-32 C to +100 C)
- Flows to 25 GPM (96 LPM) Return
- Flows to 5 GPM (19 LPM) Suction
- 1/2", 3/4", 1" Ports
- Aluminum Casting — Die Cast
- Buna Seals
- For use with petroleum based, high water water glycols and water/oil emulsions fluids
- Element post threads 1"-12 UNF, 1 1/8"-16 UNF
- 2-3 (lbs.), .9-1.4 (kgs.) shipping weight

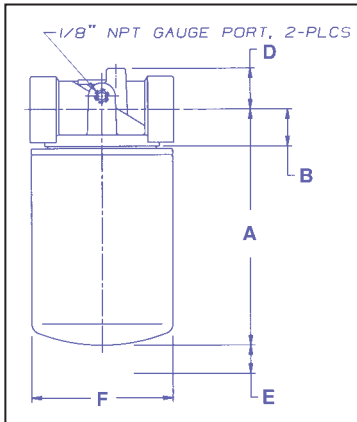
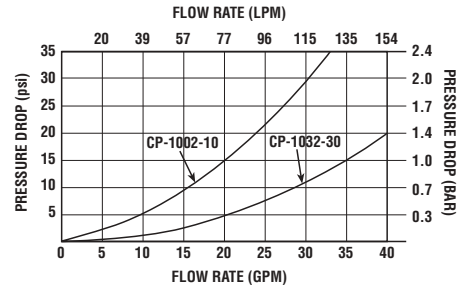
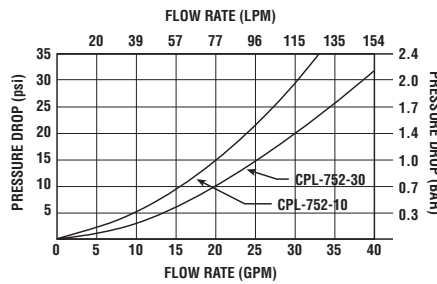
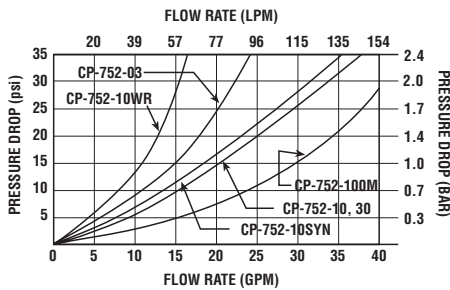
Options

- NPT or SAE Ports (CP-500, 750, 1010)
- 3, 10, 25, micron cellulose, synthetic elements
- Water absorbing elements
- 100 wire mesh element
- Visual indicators
- 2.5, 5, 15, 25, blocked bypass options for suction or return



CP-500, CP-750,
CP-1000/CP-1010 Series

CP-1030 Series

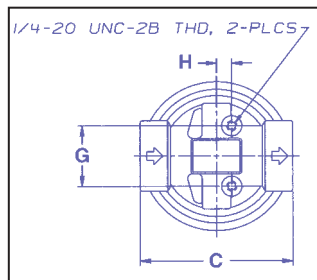


Model	PORT		A	B	C	D	E	F	G	H	I
CP-500	1/2"	IN	6.2	1	3.8	1.1	0.8	3.7	1.5	0.4	1/4-20 UNC-2B
		MM	157	25	97	28	20	94	38	10	
CPL-500	1/2"	IN	9.6	1	3.8	1.1	0.8	3.7	1.5	0.4	1/4-20 UNC-2B
		MM	244	25	97	28	20	94	38	10	
CP-750	3/4"	IN	6.2	1	3.8	1.1	0.8	3.7	1.5	0.4	1/4-20 UNC-2B
		MM	157	25	97	28	20	94	38	10	
CPL-750	3/4"	IN	9.6	1	3.8	1.1	0.8	3.7	1.5	0.4	1/4-20 UNC-2B
		MM	244	25	97	28	20	94	38	10	
CP-1010	1"	IN	6.2	1	3.8	1.1	0.8	3.7	1.5	0.4	1/4-20 UNC-2B
		MM	157	25	97	28	20	94	38	10	
CPL-1010	1"	IN	9.6	1	3.8	1.1	0.8	3.7	1.5	0.4	1/4-20 UNC-2B
		MM	244	25	97	28	20	94	38	10	
CP-1000	1"	IN	6.4	1	3.8	0.9	0.8	3.8	1.5	.4	3/8-16 UNC-2B
		MM	163	25	97	23	20	97	38	10	
CP-1030	1"	IN	11.4	1	3.8	0.9	0.8	4.3	1.5	.4	3/8-16 UNC-2B
		MM	290	25	97	23	20	109	38	10	

**Head casting has two mounting posts with threads.

On CP-500, CP-750 & CP-1010:
1/4"-20 thread 1 1/2" apart.

On CP-1000 & CP-1030:
3/8"-16 thread 1 7/8" apart.



Ordering Code

CP — L — 750 — 10 — P — MC-12

SERIES	ELEMENT LENGTH	MODEL	MEDIA	MODEL	LENGTH	BYPASS	IND
CP NPT	OMIT STD.	500	O3SYN	3 MICRON 500, 750, 1010	STD. EXT.	P (15 PSI)	MC-12
CPA SAE	L EXTD.	750	10	10 MICRON 500, 750, 1010, 1000, 1030	X X	R (25 PSI)	MC-20
		1010	10 SYN	10 MICRON 500, 750, 1010	X	V (5 PSI)	CP-2
		1000	10WR	10 MICRON 500, 750, 1010	X	H (2.5 PSI)	GLY-MC-20
		1030	30	25 MICRON 500, 750, 1010	X X	B (NO BYPASS)	135080
			100M	140 MICRON 500, 750, 1010	X		VAC-3-20
							OMIT
							T RETURN PORTS ONLY
							S SUCTION PORTS ONLY

Replacement Elements

MODEL NUMBER	MEDIA TYPE	IN ²	CM ²	ELEMENT THREAD	RATING B(X)=2/20/75
CP-752-10	10 Cellulose	550	3532	1"-12 UNF	9u/20u/23u
CPL-752-10	10 Cellulose	720	4624	1"-12 UNF	18u/42u/55u
CP-752-30	25 Cellulose	550	3532	1"-12 UNF	8u/33u/53u
CPL-752-30	25 Cellulose	720	4624	1"-12 UNF	24u/35u/43u
CP-752-03	3 Synthetic	390	2505	1"-12 UNF	4u/8u/11u
CP-752-10SYN	10 Synthetic	370	2376	1"-12 UNF	2u/7u/12u
CP-752-10WR	10 Water Removal	550	3532	1"-12 UNF	8u/33u/53u
CP-752-100M	100 SS Wire Mesh	90	578	1"-12 UNF	140u
CP-1002-10	10 Cellulose	453	2922	1 1/8"-16 UNF	9u/20u/23u
CP-1032-10	10 Cellulose	1672	10787	1 1/8"-16 UNF	8u/33u/53u

2" Diameter Indicating Gauges



MC-12

Return Line Indicating Gauge for 15 PSI Filter Applications
2" Multicolor
0-12 PSI Green
12-15 PSI Yellow
15-60 PSI Red (Service Filter)



MC-20

Return Line Indicating Gauge for 25 PSI Filter Applications
2" Multicolor
0-20 PSI Green
21-24 PSI Yellow
25-60 PSI Red (Service Filter)



CP-2

Compound Indicating Gauge (Suction or Return Line)
10" to 30" Vacuum is a Red Danger Area.
A Red "Change Filter" Sticker for the Pressure side is included with each gauge for application after the pressure factor is determined.



GLY-MC-20

Glycerin Filled
Return Line Indicating Gauge for 25 PSI Filter Applications
2" Multicolor
0-20 PSI Green
21-24 PSI Yellow
25-60 PSI Red (Service Filter)



135080

Suction Line Indicating Gauge for 5 psi vacuum filter application
2" Multicolor
0-9" HG Green
9-11" HG Yellow
11-30" HG Red (Service Filter)



VAC-3-20

Suction Line Indicating Gauge for 3 PSI vacuum filter applications
2" Multicolor
0-3" HG Green
4-6" HG Yellow
6-30" HG Red (Service Filter)



Canister Filters/Disposable Type

Suction or Return Line Application
Model Series-CP (N.P.T. & S.A.E. Ports)

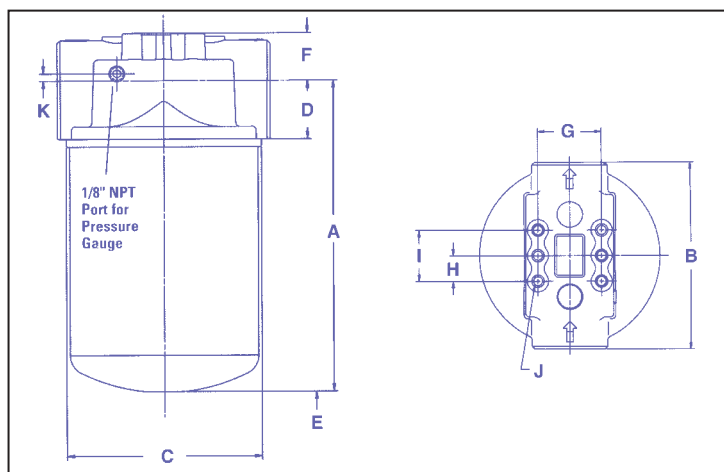
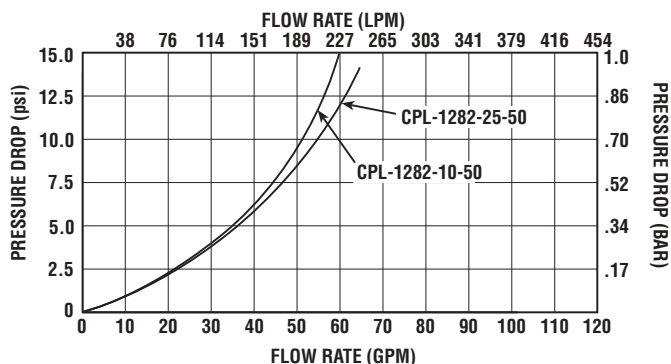
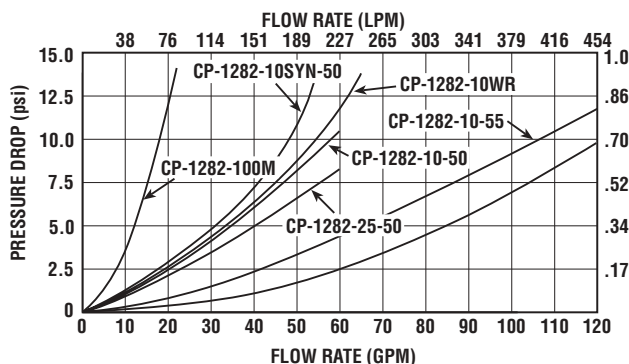
CP-1280, 1250

Specifications

- Working pressure 150 PSI (10 Bar)
- Operating Temperatures -22° F to +212° F (-32° C to +100° C)
- Flows to 60 GPM (230 LPM) Return
- Flows to 15 GPM (58 LPM) Suction
- 1 1/4" NPT, 1 5/8"-12 SAE Ports
- Element post threads 1 1/2"-16 UNF or 1 1/4" BSP
- Aluminum casting
- Buna Seals
- For use with petroleum based, high water water glycols and water/oil emulsions fluids
- 4-6 (lbs), 2.1-2.6 (kgs) shipping weight

Options

- NPT or SAE Ports
- 10, 25, micron cellulose, synthetic elements
- Water absorbing elements
- 100 wire mesh element
- Visual indicators
- 2.5, 5, 15, 25, blocked bypass options for return or suction



**Head casting has six (6) Mounting Posts with 5/16"-18 threads.

DIMENSIONAL DETAIL

MODEL	PORT		A	B	C	D	E	F	G	H	I	J	K
CP-1250	1 1/4"	IN	8.1	5.5	5	1.5	1.2	1.2	1.9	0.8	1.5	5/16"-18 UNC-2B	0.2
		MM	206	140	127	38	30	30	48	20	38		5
CP-1280	1 1/4"	IN	8.1	5.5	5	1.5	1.2	1.2	1.9	0.8	1.5	5/16"-18 UNC-2B	0.2
		MM	206	140	127	38	30	30	48	20	38		5
CPL-1280	1 1/4"	IN	12.2	5.5	5	1.5	1.2	1.2	1.9	0.8	1.5	5/16"-18 UNC-2B	0.2
		MM	310	140	127	38	30	30	48	20	38		5



Ordering Code

CP — L — 1280 — 10 — R — MC-20

SERIES	ELEMENT LENGTH	MODEL	MEDIA	MODEL	THREAD	LENGTH		BYPASS	IND
						STD.	EXT.		
CP NPT	OMIT STD.	1280	10	10 MICRON 1280, 1250	50 OR 55	X	X	P (15 PSI)	MC-12
CPA SAE	L EXTD.	1250	10 SYN	10 MICRON 1280	50	X		R (25 PSI)	MC-20
			10 WR	10 MICRON 1280	50	X		V (5 PSI)	CP-2
			25	25 MICRON 1280	50	X	X	H (2.5 PSI)	GLY-MC-20
			100M	140 MICRON 1280	50	X		B (NO BYPASS)	135080
									VAC-3-20
									OMIT
									T RETURN PORTS ONLY
									S SUCTION PORTS ONLY

* 1250 Only standard length

Replacement Elements

MODEL NUMBER	MEDIA TYPE	IN	CM	ELEMENT THREAD	RATING B(X)=2/20/75
CP1282-10-50	10 Cellulose	950	6101	1 1/2"-16 UNF	10u/27u/31u
CPL-1282-10-50	10 Cellulose	1227	7916	1 1/2"-16 UNF	10u/27u/31u
CP-1282-10-55	10 Cellulose	946	6076	1 1/4" BSP	10u/27u/31u
CP1282-25-50	25 Cellulose	950	6101	1 1/2"-16 UNF	10u/25u/32u
CPL-1282-25-50	25 Cellulose	1227	7916	1 1/2"-16 UNF	43u/46u/54u
CP-1282-10SYN-50	10 Synthetic	561	3603	1 1/2"-16 UNF	2u/7u/12u
CP-1282-10WR-50	10 Water Removal	950	6101	1 1/2"-16 UNF	10u/18u
CP-1282-100M-50	100 SS Wire Mesh	200	1285	1 1/2"-16 UNF	140u

2" Diameter Indicating Gauges



MC-12

Return Line Indicating Gauge for 15 PSI Filter Applications
2" Multicolor

0-12 PSI Green
12-15 PSI Yellow
15-60 PSI Red (Service Filter)



MC-20

Return Line Indicating Gauge for 25 PSI Filter Applications
2" Multicolor

0-20 PSI Green
21-24 PSI Yellow
25-60 PSI Red (Service Filter)



CP-2

Compound Indicating Gauge (Suction or Return Line)

10" to 30" Vacuum is a Red Danger Area. A Red "Change Filter" Sticker for the Pressure side is included with each gauge for application after the pressure factor is determined.

CHANGE FILTER



GLY-MC-20

Glycerin Filled

Return Line Indicating Gauge for 25 PSI Filter Applications
2" Multicolor

0-20 PSI Green
21-24 PSI Yellow
25-60 PSI Red (Service Filter)



135080

Suction Line Indicating Gauge for 5 psi vacuum filter application
2" Multicolor

0-9" HG Green
9-11" HG Yellow
11-30" HG Red (Service Filter)



VAC-3-20

Suction Line Indicating Gauge for 3 PSI vacuum filter applications
2" Multicolor

0-3" HG Green
4-6" HG Yellow
6-30" HG Red (Service Filter)



Canister Filters/Disposable Type

Suction or Return Line Application
Model Series-CP (N.P.T. & S.A.E. Ports)

CP-1500, 1520

Specifications

- Working pressure 150 PSI (10 Bar)
- Operating Temperatures -22° F to +212° F (-32° C to +100° C)
- Flows to 120 GPM (480 LPM) Return
- Flows to 35 GPM (140 LPM) Suction
- Aluminum casting
- Buna Seals
- For use with petroleum based, high water water glycols and water/oil emulsions fluids
- Element post threads 1 1/2"-16 UNF or 1 1/4" BSP
- 9-11 (lbs), 4-5 (kgs) shipping weight

Options

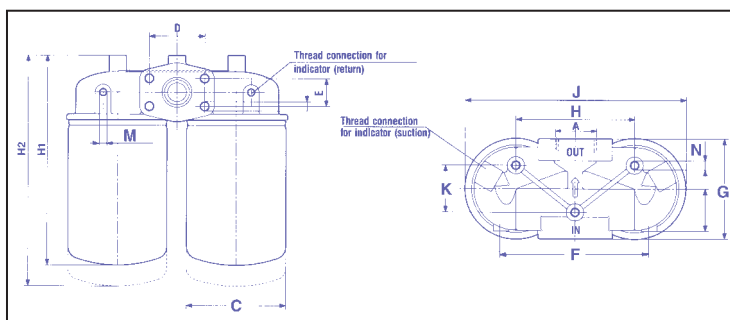
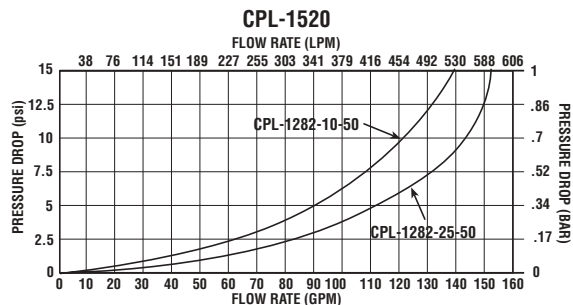
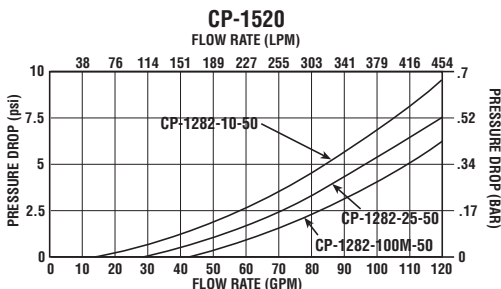
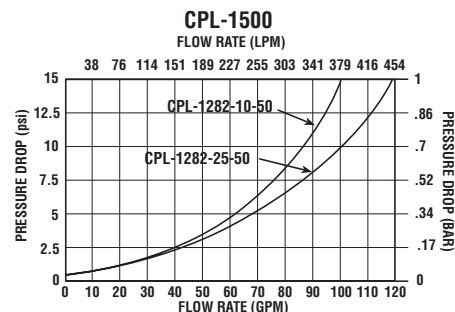
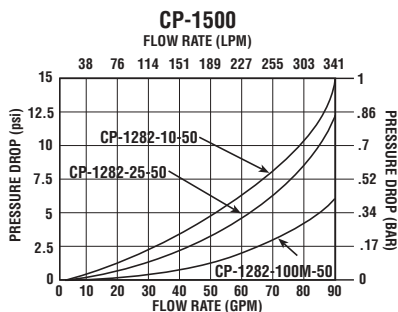
- NPT or SAE Ports
- 10, 25, 100 micron cellulose, synthetic elements
- Water absorbing elements
- Visual indicators
- 2.5, 5, 15, 25, blocked bypass options for suction or return
- 100 wire mesh elements



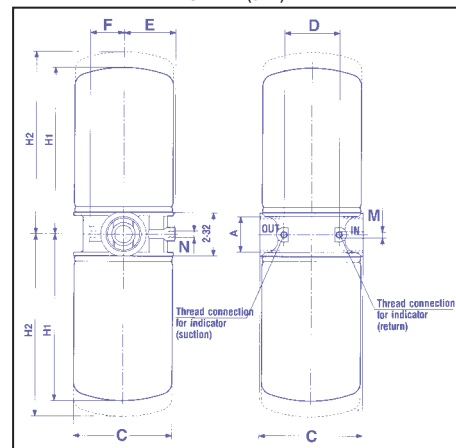
CP-1500 Series



CP-1520 Series



CP-1500 Series



CP-1520 Series

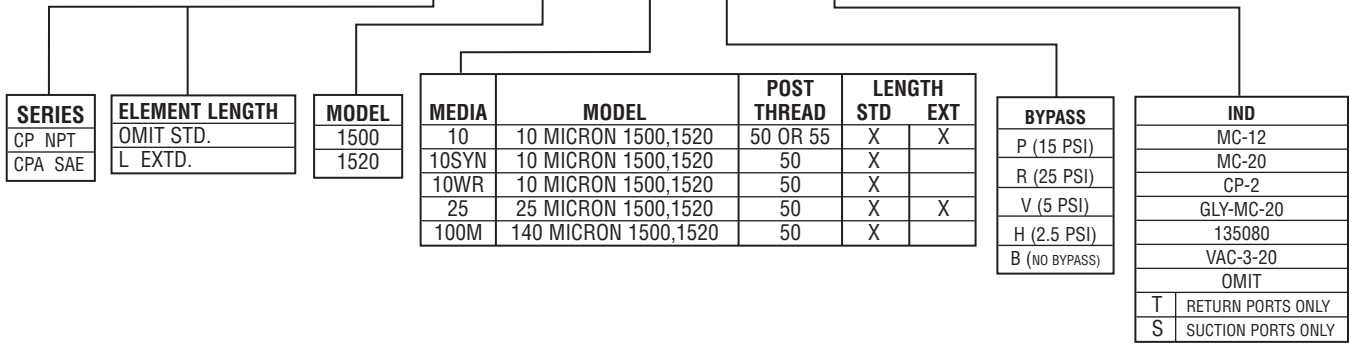
Dimensional Detail

MODEL NO.	A		H1	H2	C	D	E	F	G	H	J	K	M	N
CP-1500	1 1/2" NPT	IN	10.5	—	5	2.8	1.4	7.3	2.1	5.9	11.1	2.4	1/8 NPT	3/8-UNC
		MM	267	—	127	71	36	185	53	267	282	61		
CP-1500L	1 1/2" NPT	IN	—	11.4	5	2.8	1.4	7.3	2.1	5.9	11.1	2.4	1/8 NPT	3/8-UNC
		MM	—	289.56	127	71	36	185	53	267	282	61		
CP-1520	1 1/2" NPT	IN	8.5	—	5	3	2.8	1.8	—	—	—	—	1/8 NPT	3/8-UNC
	1 7/8" SAE	MM	216	—	127	76	216	46	—	—	—	—		
CP-1520L	1 1/2" NPT	IN	—	10.3	5	3	2.8	1.8	—	—	—	—	1/8 NPT	3/8-UNC
	1 7/8" SAE	MM	—	262	127	76	216	46	—	—	—	—		



Ordering Code

CP — 1500 — 10 — R — MC-20



Replacement Elements

MODEL NUMBER	MEDIA TYPE	IN ² AREA	CM ² AREA	ELEMENT THREAD	RATING B(X)=2/20/75
CP1282-10-50	10 Cellulose	950	6101	1 1/2"-16 UNF	10u/27u/31u
CPL-1282-10-50	10 Cellulose	1227	7916	1 1/2"-16 UNF	10u/27u/31u
CP-1282-10-55	10 Cellulose	946	6076	1 1/4" BSP	10u/27u/31u
CP1282-25-50	25 Cellulose	950	6101	1 1/2"-16 UNF	10u/25u/32u
CPL-1282-25-50	25 Cellulose	1227	7916	1 1/2"-16 UNF	43u/46u/54u
CP-1282-10SYN-50	10 Synthetic	561	3603	1 1/2"-16 UNF	2u/7u/12u
CP-1282-10WR-50	10 Water Removal	950	6101	1 1/2"-16 UNF	10u/18u
CP-1282-100M-50	100 SS Wire Mesh	200	1285	1 1/2"-16 UNF	140u

2" Diameter Indicating Gauges



MC-12
Return Line Indicating Gauge for 15 PSI Filter Applications
2" Multicolor
0-12 PSI Green
12-15 PSI Yellow
15-60 PSI Red (Service Filter)



MC-20
Return Line Indicating Gauge for 25 PSI Filter Applications
2" Multicolor
0-20 PSI Green
21-24 PSI Yellow
25-60 PSI Red (Service Filter)



CP-2
Compound Indicating Gauge (Suction or Return Line)
10" to 30" Vacuum is a Red Danger Area. A Red "Change Filter" Sticker for the Pressure side is included with each gauge for application after the pressure factor is determined.



GLY-MC-20
Glycerin Filled
Return Line Indicating Gauge for 25 PSI Filter Applications
2" Multicolor
0-20 PSI Green
21-24 PSI Yellow
25-60 PSI Red (Service Filter)



135080
Suction Line Indicating Gauge for 5 psi vacuum filter application
2" Multicolor
0-9" HG Green
9-11" HG Yellow
11-30" HG Red (Service Filter)



VAC-3-20
Suction Line Indicating Gauge for 3 PSI vacuum filter applications
2" Multicolor
0-3" HG Green
4-6" HG Yellow
6-30" HG Red (Service Filter)



Medium Pressure In Line Filters Disposable-Filter Cartridge Type

Suction or Return Line Application
Model DH & DHA (N.P.T. & S.A.E. Ports)

Specifications

- Working pressure 350 PSI (24 Bar)
- Operating Temperatures -22° F to +212° F (-32° C to +100° C)
- Flows to 75 GPM (280 LPM) Return
- 3/4", 1", 1 1/4", 1 1/2" Ports
- Cellulose and wire mesh elements
- Aluminum casting
- Buna Seals
- For use with petroleum based, high water water glycols and water/oil emulsions fluids
- Aluminum bowl with drain plug
- 2.5 (lbs) 1.1 (kg), 5.5lbs, (2.5 kgs) shipping weight

Options

- NPT or SAE Ports
- 10, 30, micron cellulose, synthetic elements
- 60, 100, 200 Wire Mesh
- Visual indicators
- 5, 15, 25, blocked bypass options for return or suction
- Optional Viton, EPR seals

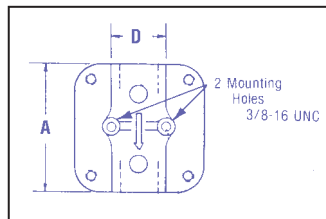
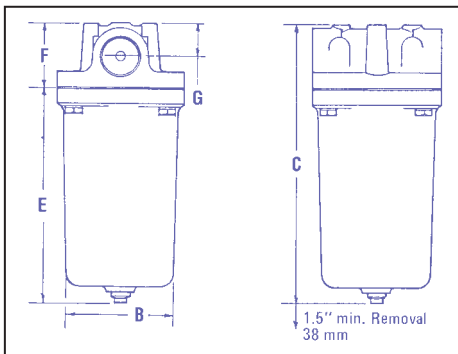
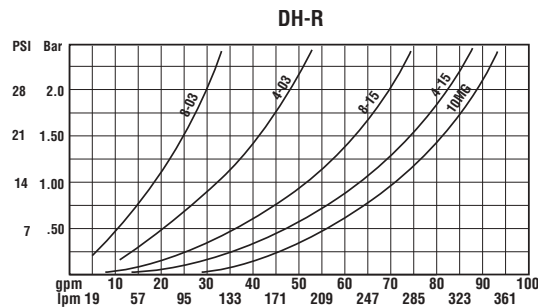
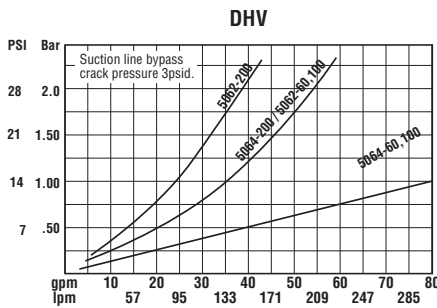


Gauge in position for suction line use.

DH-V

Gauge in position for return line use.

DH-R



Dimensional Detail

MODEL		NPT	SAE	A	B	C	D	E	F	G	WEIGHT
DH-750	IN	3/4"	1 1/16"-12	4.5	3.3	7.4	1.9	5.5	1.9	0.9	2.5 LBS
	MM			114	84	188	48	140	48	23	1.1 KG
DH-1000	IN	1"	1 5/16"-12	4.5	3.3	7.4	1.9	5.5	1.9	0.9	2.5 LBS
	MM			114	84	188	48	140	48	23	1.1KG
DH-1200	IN	1"	1 5/16"-12	5.1	4.7	11.5	2.4	9.1	2.4	1.2	5.5 LBS
	MM			130	119	292	61	231	61	30	2.5 KG
DH-1250	IN	1 1/4"	1 5/8"-12	5.1	4.7	11.5	2.4	9.1	2.4	1.2	5.5 LBS
	MM			130	119	292	61	231	61	30	2.5KG
DH-1500	IN	1 1/2"	1 7/8"-12	5.1	4.7	11.5	2.4	9.1	2.4	1.2	5.5 LBS
	MM			130	119	292	61	231	61	30	2.5KG



Ordering Code

DH - 750 - 800 - PR - CP-2

SERIES	PORT	MEDIA	BYPASS	IND
DH NPT	750 3/4"	800 10 MICRON	RR RETURN 25 PSI	MC-12
DHA SAE	1000 1"	400 30 MICRON	PR RETURN 15 PSI	MC-20
	1200 1"	*300 10 MICRON GLASS	VR SUCTION 5 PSI	CP-2
	1250 1 1/4"	60 60 MESH	OMIT No Bypass	GLY-MC-20
	1500 1 1/2"	100 100 MESH		135080
		200 200 MESH		VAC-3-20
		700 700 MESH		OMIT
				T RETURN PORTS ONLY
				S SUCTION PORTS ONLY

* Only Available in DH-1200, 1250, 1500

Replacement Elements

MODEL NO.	SERIES	MEDIA	IN ²	CM ²	RATING B(X)=2/20/75
8-03	DH 750,1000	10 MICRON CELLULOSE	342	2206	10u/25u/32u
4-03	DH 750,1000	30 MICRON CELLULOSE	342	2206	43u/46u/54u
8-15	DH1000-1500	10 MICRON CELLULOSE	1122	7237	10u/25u/32u
8-10MG	DH1200-DH1500	10 MICRON SYNTHETIC	660	4528	3u/10u/12u
4-15	DH1000-1500	30 MICRON CELLULOSE	1122	7237	43u/46u/54u
5062-200	DH750,1000	200 S.S. WIRE MESH	120	774	74u
5062-100	DH750,1000	100 S.S. WIRE MESH	120	774	140u
5062-700	DH750,1000	700S.S. WIRE MESH	120	774	10u
5062-60	DH750,1000	60,S.S. WIRE MESH	120	774	262u
5064-200	DH1000-1500	200S.S. WIRE MESH	325	2096	74u
5064-60	DH1000-1500	60,S.S. WIRE MESH	3025	2096	262u
5064-100	DH1000-1500	100 S.S. WIRE MESH	325	2096	144u
5064-700	DH1000-1500	700 S.S. WIRE MESH	325	2096	10u

2" Diameter Indicating Gauges



MC-12

Return Line Indicating Gauge for 15 PSI Filter Applications
2" Multicolor

0-12 PSI Green
12-15 PSI Yellow
15-60 PSI Red (Service Filter)



MC-20

Return Line Indicating Gauge for 25 PSI Filter Applications
2" Multicolor

0-20 PSI Green
21-24 PSI Yellow
25-60 PSI Red (Service Filter)



CP-2

Compound Indicating Gauge (Suction or Return Line)

10" to 30" Vacuum is a Red Danger Area. A Red "Change Filter" Sticker for the Pressure side is included with each gauge for application after the pressure factor is determined.

CHANGE FILTER



GLY-MC-20

Glycerin Filled

Return Line Indicating Gauge for 25 PSI Filter Applications
2" Multicolor

0-20 PSI Green
21-24 PSI Yellow
25-60 PSI Red (Service Filter)



135080

Suction Line Indicating Gauge for 5 psi vacuum filter application
2" Multicolor

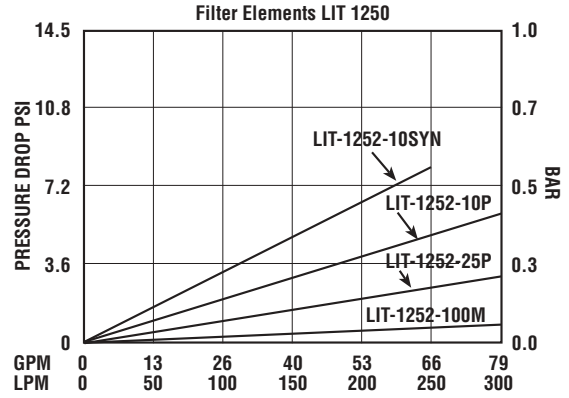
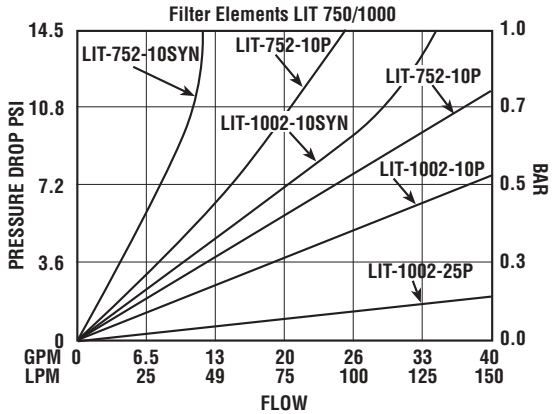
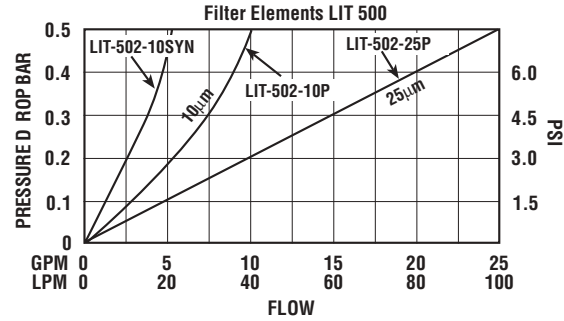
0-9" HG Green
9-11" HG Yellow
11-30" HG Red (Service Filter)



VAC-3-20

Suction Line Indicating Gauge for 3 PSI vacuum filter applications
2" Multicolor

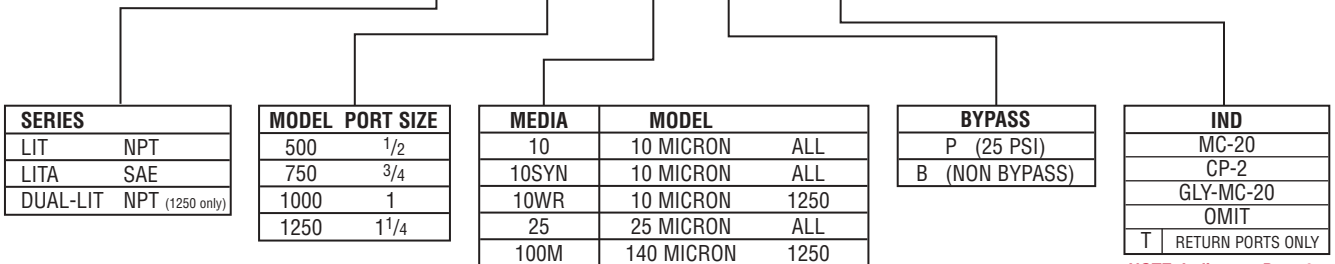
0-3" HG Green
4-6" HG Yellow
6-30" HG Red (Service Filter)



(Based on 150 SSU)

Ordering Code

LIT — 1250 — 10 — P — MC-20



NOTE: Indicators Page 9a

Replacement Elements

MODEL NUMBER	MEDIA	IN ²	CM ²	B(x)=2/20/75
LIT-502-10P	10 Micron Cellulose	258	1657	6u/8u/13u
LIT-502-25P	25 Micron Cellulose	258	1657	24u/35u/43u
LIT-502-10SYN	10 micron Synthetic	155	996	3u/5.5u/12u
LIT-752-10P	10 Micron Cellulose	294	1888	6u/8u/13u
LIT-752-25P	25 Micron Cellulose	294	1888	24u/35u/43u
LIT-752-10SYN	10 Micron Synthetic	268	1721	3u/5.5u/12u
LIT-1002-10P	10 micron Cellulose	294	1888	6u/8u/13u
LIT-1002-25P	25 Micron Cellulose	294	1888	24u/35u/43u
LIT-1002-10SYN	10 micron Synthetic	268	1721	3u/5.5u/12u
LIT-1252-10P	10 Micron Cellulose	620	3982	6u/8u/13u
LIT-1252-25P	25 Micron Cellulose	620	3982	24u/35u/43u
LIT-1252-10SYN	10 Micron Synthetic	666	4277	3u/5.5u/12u
LIT-1252-10WR	10 Micron Water Removal	452	2916	10u/18u
LIT-1252-100M	140 Micron Wire Mesh	310	1991	140u



LITB In-Tank Filter / Breather

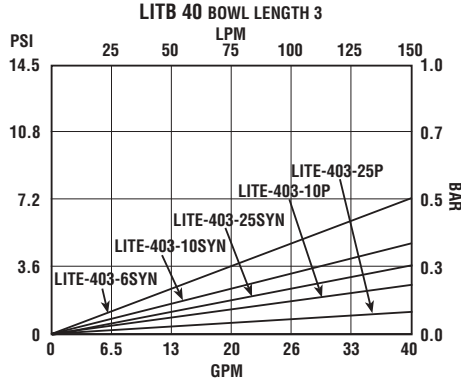
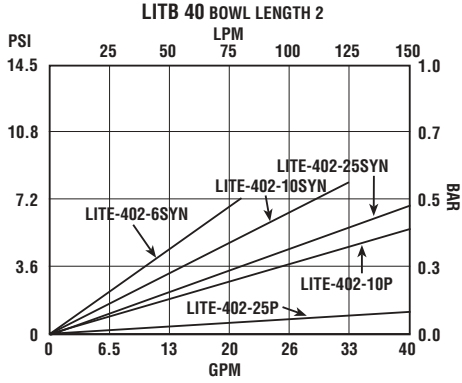
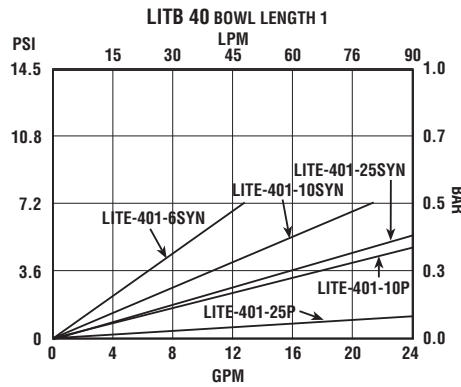
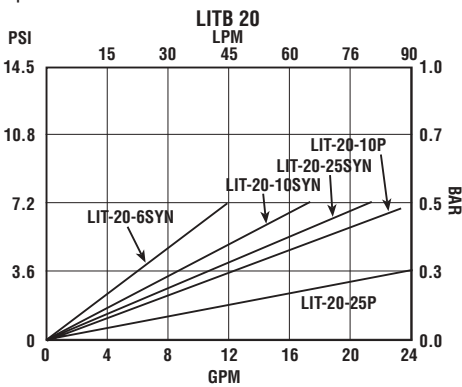
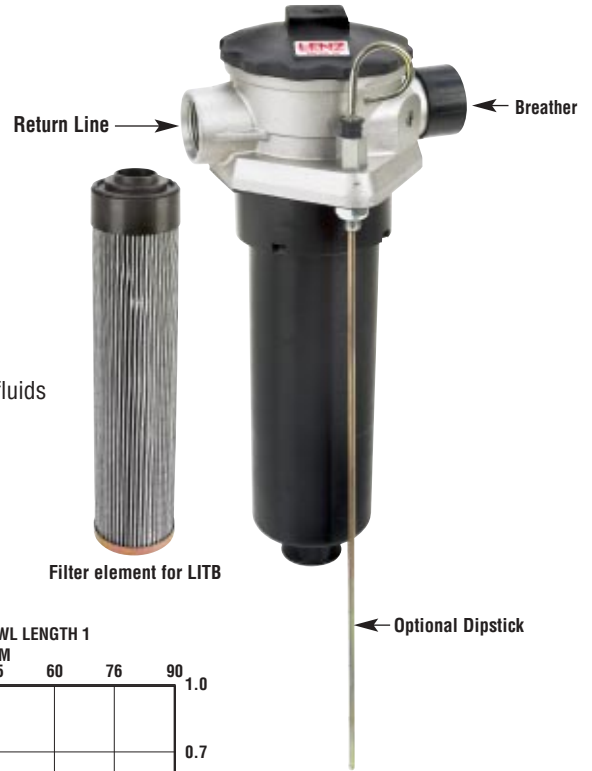
LITB-20, 40

Specifications

- Working pressure 150 PSI (7 Bar)
- Operating Temperatures -22° F to +212° F (-32° C to +100° C)
- Flows to 40 GPM (150 LPM) Return
- 1/2", 3/4", 1" Ports
- 10 or 40 micron breathers
- Aluminum casting, nylon lid
- Buna Seals
- For use with petroleum based, high water water glycols and water/oil emulsions fluids
- Three nylon bowl lengths
- 3-10 (lbs.) , 1.4-4.5 (kgs.) shipping weight
- 25 bypass for return

Options

- NPT or SAE Ports
- 6, 10, 25 micron cellulose, synthetic elements
- Visual indicators
- Dipsticks available



Ordering Code

LITB 20 - 500 - 10 - 40 - D - MC-20-T

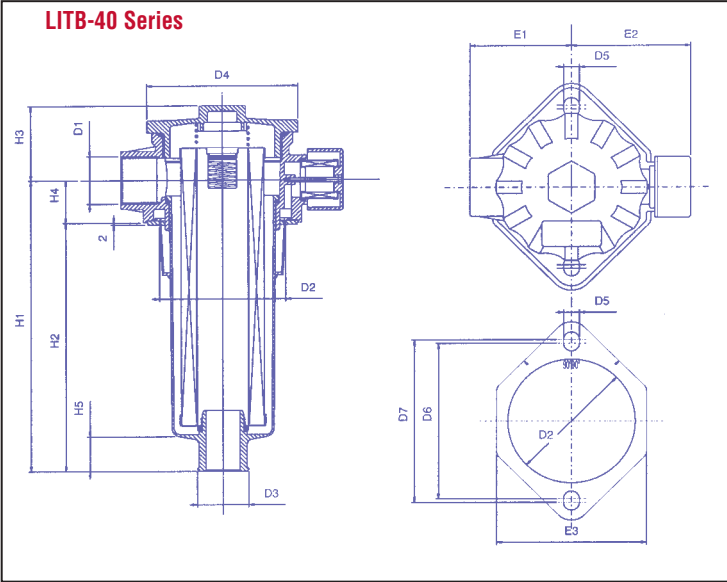
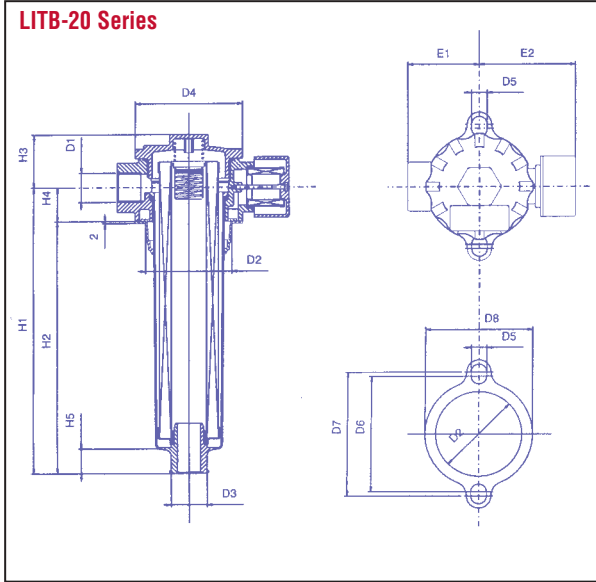
SERIES	PORT SIZE	MEDIA	BREATHER	OPTIONS	INDICATORS
LITB 20	500 1/2	10 10 MICRON	10 10 MICRON	D DIPSTICK	MC-20
LITB A20	750 3/4	10 SYN 10 MICRON	40 40 MICRON	OMIT	CP-2
		6SYN 6 MICRON			OMIT
		25 25 MICRON			T RETURN PORTS ONLY
		25SYN 25 MICRON			

NOTE: Indicators Page 9a

Replacement Elements

ELEMENT	AREA MEDIA	AREA IN	CM	BETA	RATIO
LITE20-10P	10 MICRON	135	870	B10	2
LITE20-10SYN	10 MICRON	110	710	B10	75
LITE20-6SYN	6 MICRON	110	710	B6	75
LITE20-25P	25 MICRON	110	710	B25	75
LITE20-25SYN	25 MICRON	135	870	B25	2



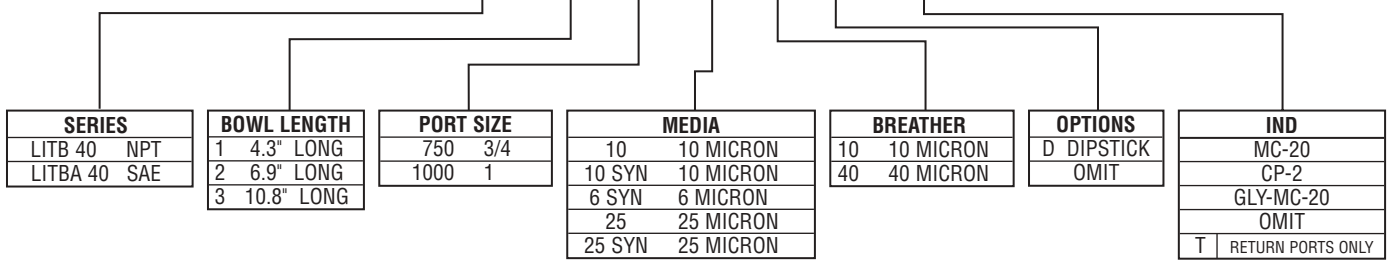


Dimensions

MODEL NUMBER	D1		D2	D3	D4	D5	D6	D7	D8	H1	H2	H3	H4	H5	E1	E2	E3	WEIGHT LB/KG
LITB 20	1/2, 3/4	IN	2.3-2.5	1.1	3	0.4	3.2	3.5	3	8	7	1.6	0.9	0.6	2	2.8		0.85
		MM	60-63	28	75	11	82	88	77	202	178	41	24	16	50	70		0.4
LITB 40	3/4, 1	IN	3.4-3.6	1.4	4.1	0.4	4.3	4.5		5.5	4.3	2.4	1.2	0.9	2.8	3.3	4.1	4.5
		MM	87-91	36	104	11	110	115		140	110	60	30	22	70	83	103	2
LITB 40	3/4, 1	IN	3.4-3.6	1.4	4.1	0.4	4.3	4.5		8.1	6.9	2.4	1.2	0.9	2.8	3.3	4.1	4.5
		MM	87-91	36	104	11	110	115		205	175	60	30	22	70	83	103	2
LITB 40	3/4, 1	IN	3.4-3.6	1.4	4.1	0.4	4.3	4.5		12	10.8	2.4	1.2	0.9	2.8	3.3	4.1	4.5
		MM	87-91	36	104	11	110	115		305	275	60	30	22	70	83	103	2

Ordering Code

LITB 40 - 1 - 750 - 10 - 40 - D - MC-20



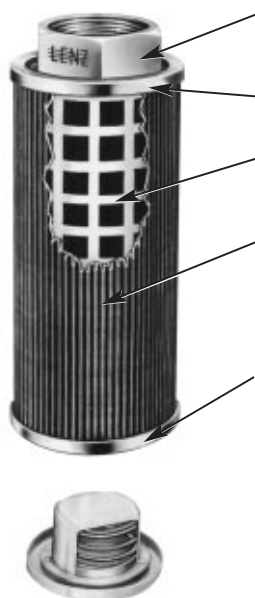
Replacement Elements

ELEMENT	AREA MEDIA	AREA IN	CM	BETA	RATIO
LITE401-10P	10 MICRON	146	940	B10	2
LITE401-10SYN	10 MICRON	104	670	B10	75
LITE401-6SYN	6 MICRON	104	670	B6	75
LITE401-25P	25 MICRON	146	940	B25	75
LITE401-25SYN	25 MICRON	104	670	B25	2
LITE402-10P	10 MICRON	233	1500	B10	2
LITE402-10SYN	10 MICRON	158	1020	B10	75
LITE402-6SYN	6 MICRON	158	1020	B6	75
LITE402-25P	25 MICRON	233	1500	B25	75
LITE402-25SYN	25 MICRON	158	1020	B25	2
LITE403-10P	10 MICRON	287	1850	B10	2
LITE403-10SYN	10 MICRON	259	1670	B10	75
LITE403-6SYN	6 MICRON	259	1670	B6	75
LITE403-25P	25 MICRON	287	1850	B25	75
LITE403-25SYN	25 MICRON	259	1670	B25	2



Sump Strainers

N49 / 49 Series

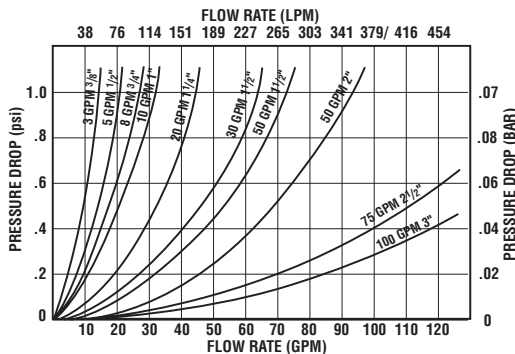


- Plated Steel Hex or Nylon Hex Pipe Nut Coupling:**
In a full range of NPT sizes, 3/4" thru 3". Welded on.
- Plated Steel End Cap or Nylon:**
Epoxy-bonded for one-piece construction.
- Steel Back-Up Cylinder:**
Provides rigidity, permits easy cleaning and better flow.
- Pleated, Reusable Stainless Wire Cloth:**
Keeps its shape and allows better flow. For use with hydraulic fluids, oils, coolants, cutting oils and lubricants. Excellent for mobile equipment. Easily cleaned. Choice of 30, 60, 100 or 200 mesh. See table.
- Plated Steel Cap End:**
Epoxy-bonded for one-piece construction.
- Trouble-Free Positive Protection:**
All metal, nickel plated construction. No organic elements to deteriorate. These smooth, one-piece, epoxy-bonded units are carefully and compactly constructed with quality materials throughout. They assure trouble-free, positive protection for the entire system. Excellent for mobile equipment.
- Easily Installed and Cleaned:**
Easily removed and cleaned with gasoline and similar solvents.

OPTIONAL
Built-in relief valve to prevent pump starvation / Part No. R3 & R5

3 & 5 PSI relief valve is optional extra.
To specify add to Model No.
Example: 49-50-R3-100

49/N49 Series



Steel Hex →

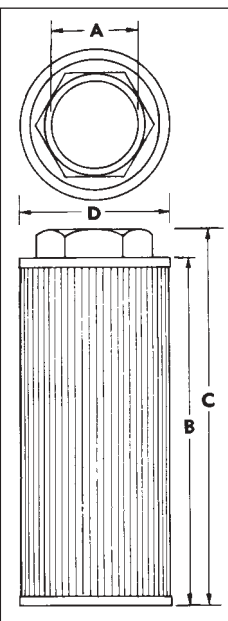
Nylon Hex Nut (One Piece) →



N49-SERIES 49-SERIES

Stainless Wire Cloth • Stock Meshes

MESH CENTER AGE TO CENTER	DIA. OF WIRE (Inches)	WIDTH OF OPENING (Inches)	WIDTH OF OPENING (Microns)	PERCENT OF OPEN AREA
30	.011"	.022"	557	44.8
60	.0065"	.010"	253	37.5
100	.0045"	.0055"	140	30.3
200	.0021"	.0029"	74	33.6



Dimensions

MODEL NYLON	MODEL STEEL	G.P.M.	A		B	C	D	AREA (CM ²)
N49-3	49-3	3	IN	3/8"	1.2	2.5	1.9	34 (219.3)
N49-4	49-4	5	IN	1/2"	1.9	3.1	2.6	62 (399.9)
N49-5	49-5	8	IN	3/4"	2.9	3.6	2.6	62 (399.9)
N49-10	49-10	10	IN	1"	4.6	5.4	2.6	110 (709.5)
N49-20	49-20	20	IN	1 1/4"	6.1	6.9	3	162 (1044.9)
N49-30	49-30	30	IN	1 1/2"	7.2	8	3.3	225 (1451.3)
N49-50	49-50	50	IN	1 1/2"	9.1	9.9	3.9	340 (2193)
N49-50-2	49-50-2	50	IN	2"	9.1	9.9	3.9	340 (2193)
N49-75	49-75	75	IN	2 1/2"	9.1	10.1	5.1	400 (2580)
N49-100	49-100	100	IN	3"	10.4	11.8	5.1	500 (3225)

TO ORDER OTHER THAN 100 MESH ADD -30, 60, 200
TO SPECIFY BY-PASS OPTION, ADD R3 & R5



Tank Mounted Strainers

LTM Series

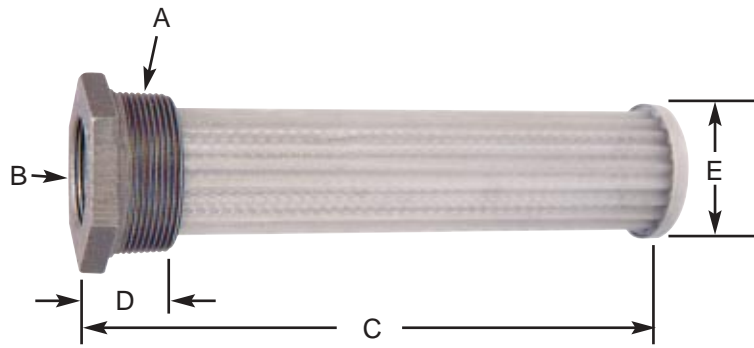
Designed for ease of servicing.
Access to tank interior is not necessary

Specifications:

- Cast iron bushings
- Perforated steel support tubes
- 100 mesh stainless steel pleated screen

Options:

- No by-pass or 3 & 5 PSI by-pass
- Custom screens available on request



Dimensions

MODEL NUMBER	G.P.M.		NPT A	NPT B	C	D	E	AREA (CM ²)
LTM-3	3	IN	3/4"	3/8"	4.0	1.0	0.9	29.0
		MM			101	25	29	(185)
LTM-5	5	IN	1"	1/2"	5.4	1.1	1.2	35
		MM			137.2	27.9	30.5	(225.8)
LTM-10	10	IN	1 1/4"	3/4"	8.2	1.2	1.4	64
		MM			208.3	30.5	35.6	(412.8)
LTM-15	15	IN	1 1/2"	1"	8.2	1.2	1.7	86
		MM			208.3	30.5	43.2	(554.7)
LTM-25	25	IN	2"	1 1/4"	9	1.4	2.1	125
		MM			228.6	35.6	53.3	(806.3)
LTM-50	50	IN	3"	2"	9.7	1.7	3	260
		MM			246.4	43.2	76.2	(1677.0)
LTM-100	100	IN	4"	3"	11.3	1.8	4	315
		MM			287.0	45.7	101.6	(2031.8)

TO ORDER OTHER THAN 100 MESH ADD -30, 60, 200
TO SPECIFY BY-PASS OPTION, ADD R3 & R5

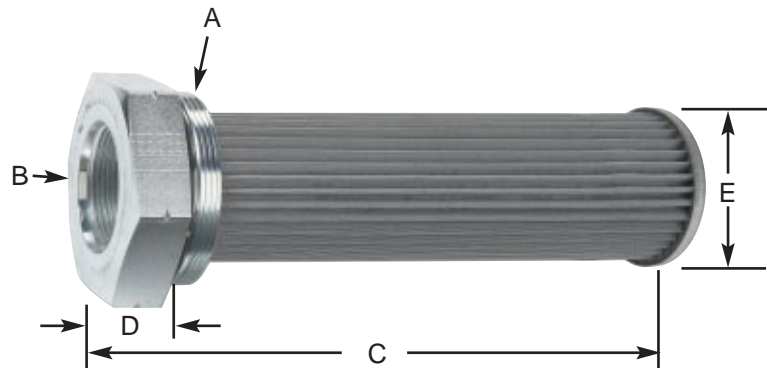
LTMA Series

Specifications:

- S.A.E O-Ring Threads
- Steel Zinc Plated Bushings
- Perforated Steel Support Tubes
- 100 Mesh Stainless Steel Pleated Screen

Options:

- No by-pass or 3 & 5 PSI by-pass
- 30, 60, 200 mesh screens available on request

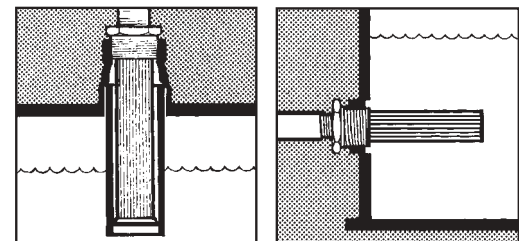


Dimensions

MODEL NUMBER	G.P.M.		SAE A	SAE B	C	D	E	AREA (CM ²)
LTMA-5	5	IN	15/16"-12	3/4"-16	5.4	1.1	1.2	35
		MM			137.2	27.9	30.5	(225.8)
LTMA-10	10	IN	15/8"-12	11/16"-12	8.2	1.2	1.4	64
		MM			208.3	30.5	35.6	(412.8)
LTMA-15	15	IN	17/8"-12	15/16"-12	8.2	1.2	1.7	86
		MM			208.3	30.5	43.2	(554.7)
LTMA-25	25	IN	2 1/2"-12	15/8"-12	9	1.4	2.1	125
		MM			228.6	35.6	53.3	(806.3)

TO ORDER OTHER THAN 100 MESH ADD -30, 60, 200
TO SPECIFY BY-PASS OPTION, ADD R3 & R5

*See Page 16a for LWBA Series Weld Bushings



Mounting Details:

Mount through sidewall or through tank top and into standpipe.



Tank Mounted Strainers

LTMAB Series

Designed for ease of servicing.
Access to tank interior is not necessary

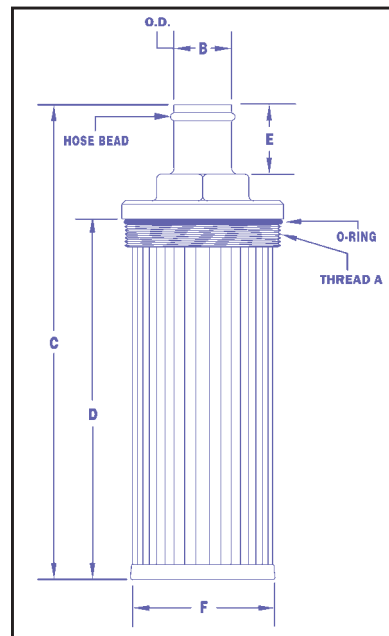
Specifications:

- S.A.E. to hose barbed tube
- Machined bushing
- Perforated steel support tubes
- 100 mesh stainless steel pleated elements

Options:

- No by-pass or 5 PSI by-pass
- 30, 60, 200 mesh screens available on request

*To specify by-pass option, add - R5.



DIMENSIONS

MODEL NUMBER	G.P.M.		A	B	C	D	E	F
LTMAB-2125	16	IN MM	2 1/2"-12	1 1/4"	10 254	8 203	1.25 32	2.1 53

S.A.E. STEEL BUSHING, HOSE BARB, METAL END CAP ZINC PLATED, 100 SS MESH
TO ORDER OTHER THAN 100 MESH ADD -30, 60, 200
TO SPECIFY BY-PASS OPTION, ADD RV5

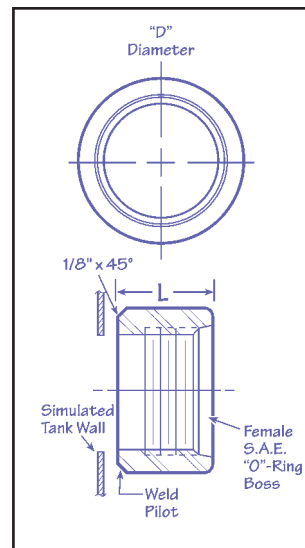
"LW-BA" WELD ADAPTERS

FEMALE S.A.E. "O-RING" WELD ADAPTER

LENZ "LW-BA" WELD ADAPTERS are designed and machined with a pilot to accurately position the adapter to the hole opening for welding flush to the outside of the tank. The Weld Adapter is a female S.A.E. O-ring connector for Lenz S.A.E. male straight thread fittings or any other Lenz hydraulic component with a male S.A.E. straight thread, making for a leak-free installation.



MODEL NUMBER	STAINLESS STEEL	FEMALE S.A.E.	L +.03	D DIA.
LW-BA-6	LW-BA-6-SS	9/16"-18	.70	.875
LW-BA-8	LW-BA-8-SS	3/4"-16	.85	1.125
LW-BA-10	LW-BA-10-SS	7/8"-14	.95	1.375
LW-BA-12	LW-BA-12-SS	1 1/16"-12	.95	1.375
LW-BA-14	LW-BA-14-SS	1 3/16"-12	1.1	1.625
LW-BA-16	LW-BA-16-SS	1 5/16"-12	1.1	1.625
LW-BA-20	LW-BA-20-SS	1 7/8"-12	1.1	2.125
LW-BA-24	LW-BA-24-SS	1 7/8"-12	1.1	2.50
LW-BA-32	LW-BA-32-SS	2 1/2"-12	1.2	3.00



Tank Mounted Strainers

LTF Series

Designed for ease of servicing.

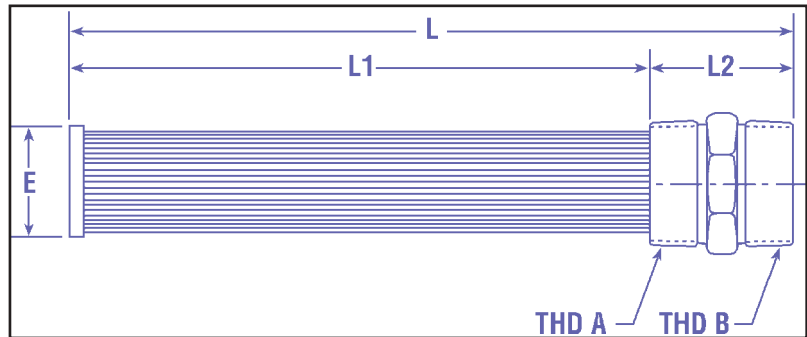
Access to tank interior is not necessary

Specifications

- Flows up to 49 GPM
- Cast iron bushing
- Perforated steel support tubes
- 100 mesh stainless steel pleated elements

Options

- No by-pass or 5 PSI by-pass
 - 30, 60, 200 mesh available upon to request
- To specify by-pass option add R5



DIMENSIONAL DETAIL

MODEL NUMBER		A	B	L	L1	L2	E
LTF-32	IN	2" NPT	2" NPT	13.5	10.75	2.7	2.1
	MM			343	273	69	53
LTF-32R5	IN	2" NPT	2" NPT	13.5	10.75	2.7	2.1
	MM			343	273	69	53

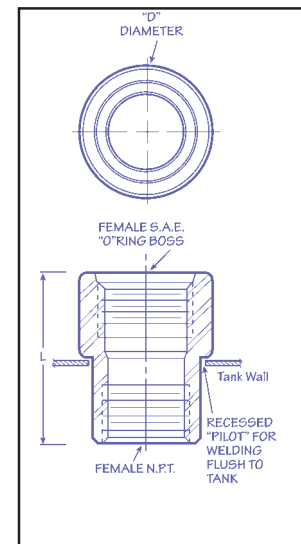
“AN-WB” WELD BUSHINGS

FEMALE S.A.E. “O-RING” TO FEMALE N.P.T.

LENZ “AN-WB” Weld Bushings are designed and machined with a recessed pilot to accurately position the adapter to the hole opening for welding flush during welding phase to the outside of the tank (the female S.A.E. “O-Ring” connection on top or side of tank, and the female N.P.T. connection on the inside of the tank) to save time and labor when installing components or accessories, (examples: S.A.E. hydraulic fittings to suction strainers or a return line diffuser) for a leak-free installation.



MODEL NUMBER	FEMALE S.A.E.	FEMALE PIPE	L +.03	X PILOT DIA.	D DIA.
AN-WB-6-6	9/16"-18	3/8"	1.41	.808	1.00
AN-WB-8-8	3/4"-16	1/2"	1.72	.995	1.125
AN-WB-12-12	1 1/16"-12	3/4"	1.98	1.275	1.50
AN-WB-16-16	1 5/16"-12	1"	2.17	1.495	1.75
AN-WB-20-20	1 5/8"-12	1 1/4"	2.25	1.870	2.125
AN-WB-24-24	1 7/8"-12	1 1/2"	2.26	2.125	2.375
AN-WB-32-32	2 1/2"-12	2"	2.41	3.00	3.25





Tank Mount Diffusers

Designed for ease of servicing.
Access to tank interior is not necessary

LTMD Series

Specifications:

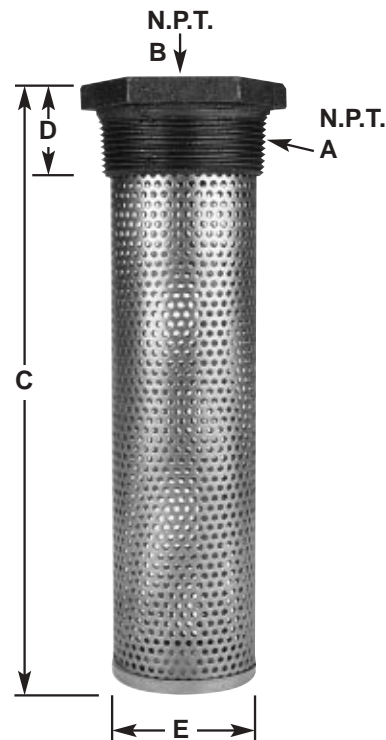
- Cast iron bushings
- Perforated steel support
- Temperatures to + 250° F (+121° C)

Options:

- SAE available - consult factory

Ordering Information

MODEL NUMBER	GPM RATING	PERF. OPEN AREA IN	NPT SIZES		C		D		E	
			A	B	IN.	MM.	IN.	MM.	IN.	MM.
LTMD-5	20	3.1	1"	1/2"	5.34"	135	1.06"	28	1.17"	29
LTMD-10	35	6.9	1 1/4"	3/4"	8.17"	207	1.20"	30	1.36"	34
LTMD-15	55	8.8	1 1/2"	1"	8.20"	208	1.22"	31	1.66"	42
LTMD-25	95	12.3	2"	1 1/4"	9.04"	229	1.35"	34	2.12"	53
LTMD-50	210	17	3"	2"	9.70"	246	1.70"	43	3.00"	76
LTMD-100	465	39	4"	3"	11.30"	287	1.80"	45	4.00"	101



LDFD SERIES DIFFUSERS

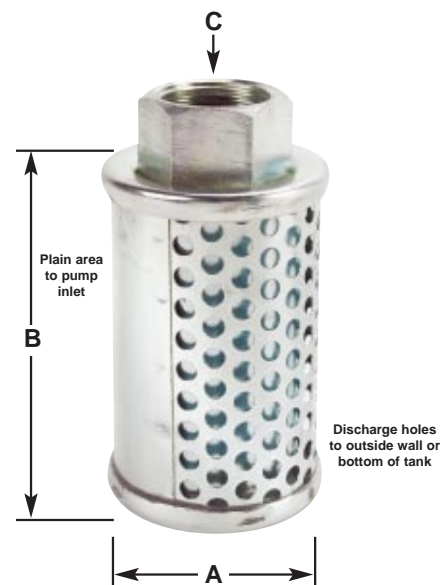
Designed for ease of servicing.

Specifications:

- Plated steel end caps
- Zinc plated steel body
- Operating temperature range -13° F to 212° F (-25° C to 100° C)
- Up to 3" NPT port threads
- Flows to 250 GPM (945LPM)
- Epoxy adhesives
- Maximum working pressure 300 PSI (20 Bar)
- Pressure drop at rated flows .5 PSI (.035 Bar)

Ordering Information

MODEL NUMBER	MAX PORT	FLOW	A			HEX C
			IN	MM	MM	
LDFD-10	1/2"	10	IN	2.5	5	1.2
			MM	44	104	30
LDFD-30	3/4"	15	IN	2.5	6.3	1.4
			MM	63	127	36
LDFD-60	1"	30	IN	2.5	6.3	1.8
			MM	63	159	46
LDFD-90	1 1/4"	55	IN	3.4	6.3	2.4
			MM	86	159	60
LDFD-120	1 1/2"	60	IN	3.4	8.3	2.4
			MM	86	210	60
LDFD-200	2"	120	IN	3.4	12.2	2.8
			MM	86	311	70
LDFD-250	2 1/2"	180	IN	5.9	8.3	3.5
			MM	150	211	90
LDFD-300	3"	250	IN	5.9	10.7	3.9
			MM	150	272	100



Operation

The LDFD series diffuser consists of two concentric steel tubes each with rows of discharge holes positioned over 120 degrees of their circumference arranged on opposite sides. The inner tube has fewer holes than the outer; to allow for oil velocity to be reduced in two stages as it passes from the inner tube to the outer tube and eventually into the reservoir. The LDFD series diffusers should be installed with the discharge area on the outside tube facing the tank wall or bottom.

Benefits

Designed to effectively reduce fluid aeration, foaming, turbulence, and noise caused by return lines. Pump life is also extended by reducing cavitation to the pump inlet.



Disc Sump Strainer Standard Types

Stacking Disc Sump Strainers

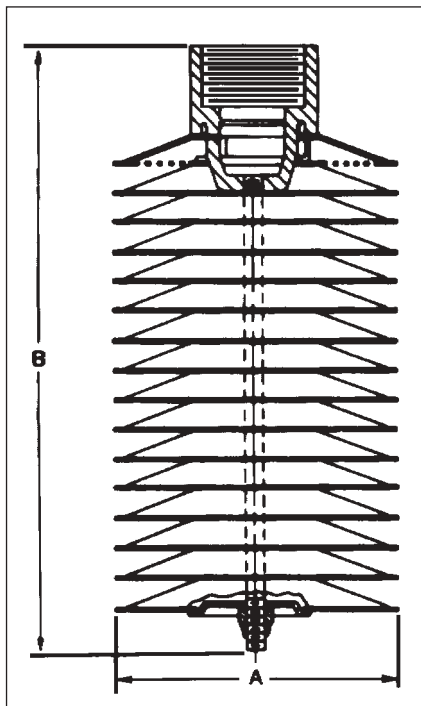
Model L-G

Lenz Model L-G Strainers are all-metal disc type, for all petroleum base and fire resistant hydraulic oils and other liquids such as water and fuels. They are designed to work efficiently installed in either a vertical or horizontal position.

Lenz Disc Type Strainers can be cleaned more completely than any other design because when the assembly is dismantled, every square inch of flat screen area can be scrubbed clean and inspected.

Because of the Lenz "Stacking" Disc design, it is possible to provide assemblies with filtering area ranging from 8 to more than 700 square inches by utilizing the four disc sizes shown in the table below (Dimension A)

These units may be ordered with 100, 60, or 30 mesh wire screen. (See Pg. 14) 100 mesh stainless Cloth supplied unless otherwise specified.



Standard Assemblies Available For Sump Application

100 Mesh Stainless Cloth Is Supplied Unless Otherwise Specified

MODEL NUMBER	GPM	PIPE SIZE NPT	DIMENSIONS		DISCS	FILTER AREA (SQ. IN.)
			A	B		
L75G5	5	3/4"	3 3/4"	4"	8	64"
L75G8	8	3/4"	3 3/4"	5 1/2"	12	96"
L100G10	10	1"	3 3/4"	7 3/8"	16	128"
L125G20	20	1 1/4"	4 1/4"	9 1/4"	21	214"
L150G30	30	1 1/2"	5"	9 3/8"	21	307"
L150G50	50	1 1/2"	5"	10 7/8"	25	365"
L200G60	60	2"	6"	7 7/8"	18	380"
L200G75	75	2"	6"	9 1/4"	22	464"
L250G85	85	2 1/2"	6"	10 1/8"	24	507"
L250G100	100	2 1/2"	6"	11 5/8"	28	591"

NOTE: * area based on following: 8.0" sq. in. per 3.75" disc / 10.2" sq. in. per 4.25" disc / 14.6" sq. in. per 5" disc / 21.1" sq. in. per 6" disc.

Low Disc Strainers

Model D

MODEL NUMBER	PIPE SIZE NPT	HEIGHT	DISCS	AREA SQ. IN.
37-D-1	3/8"	1"	1	8"
37-D-2	3/8"	1 3/8"	2	16"
37-D-3	3/8"	1 3/4"	3	24"
50-D-1	1/2"	1 1/8"	1	8"
50-D-2	1/2"	1 1/2"	2	16"
50-D-3	1/2"	1 7/8"	3	24"
50-D-5	1/2"	2 5/8"	5	40"
75-D-3	3/4"	2 1/4"	3	24"
75-D-4	3/4"	2 5/8"	4	32"
75-D-5	3/4"	3"	5	40"
100-D-6	1"	3 5/8"	6	48"
100-D-7	1"	4"	7	56"

Low in price, these compact strainers are designed for low oil levels and small tanks found in scissor lifts, lift trucks, and other applications where efficiency counts most. They are perfect for shallow tanks work well in fluid levels as low as 3/4".

• Available on special order: 6" dia. discs which have 21.1 sq. in. screen area per disc. 3/4" or 1" NPT pipe size.



NOTE: * 8.0 sq. in. per 3 3/4"

See Pg. 13 (Bottom) for view of screen



Disc Sump Strainers/Magnetic Types

Magnetic Disc Sump Strainers

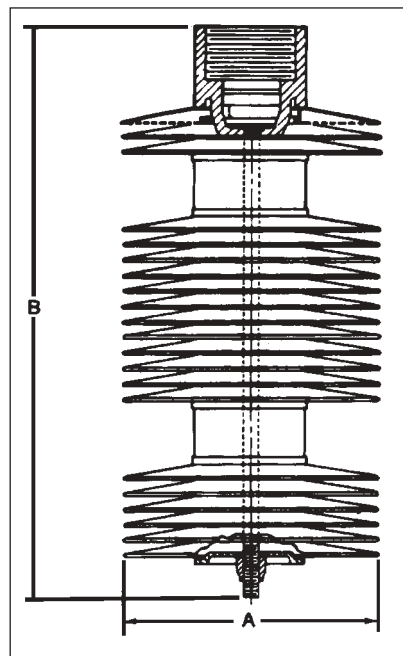
Model ML-G

Lenz Model ML-G Strainers add magnetic separation to the efficient straining action of the stacking disc design. Powerful Alnico magnets attract iron particles to the disc covers and away from the stainless screen. Oil passing through the center of the magnets gets a secondary cleaning action. The magnets are an integral part of the assembly, not just an add-on feature. Meets J.I.C. specifications calling for magnetism in hydraulic systems. Die cast aluminum pipe adapters effectively isolate Lenz Magnetic Disc Sump Strainers from steel intake piping. When the unit is disassembled, the iron particles simply drop off the disc covers. These units may be ordered with 100, 60, or 30 mesh wire screen. (See Pg.14 for mesh sizes)



MODEL NUMBER	GPM	PIPE SIZE NPT	DIMENSIONS		MAGNETS NO. & DIA.	DISC	FILTER AREA* (SQ. IN.)
			A	B			
ML75G5	5	3/4"	3 3/4"	5"	1-2"	8	64"
ML75G8	8	3/4"	3 3/4"	6 1/2"	1-2"	12	96"
ML100G10	10	1"	3 3/4"	9 3/8"	2-2"	16	128"
ML125G20	20	1 1/4"	4 1/4"	11 1/4"	2-2 1/2"	21	214"
ML150G30	30	1 1/2"	5"	11 3/8"	2-2 1/2"	21	307"
ML150G50	50	1 1/2"	5"	13 7/8"	3-2 1/2"	25	365"
ML200G60	60	2"	6"	10 1/8"	2-3"	18	380"
ML200G75	75	2"	6"	11 5/8"	2-3"	22	464"
ML250G85	85	2 1/2"	6"	12 3/8"	2-3"	24	507"
ML250G100	100	2 1/2"	6"	14 7/8"	3-3"	28	591"

NOTE: *area based on following: 8.0 sq. in. per 3 3/4" disc • 10.2 sq. in. per 4 1/4" disc • 14.6 sq. in. per 5" disc • 21.1 sq. in. per 6" disc



MAGNETIC LOW DISC STRAINERS

Model MD

Lenz Model M D Strainers combine magnetic separation and low profile disc construction. A cylindrical magnet mounted between discs makes a concentrated magnetic field through which all oil passes.

- Available on special order: 6" dia. discs which have 21.1 sq. in. screen area per disc. 3/4" or 1" NPT pipe size.

MODEL NUMBER	PIPE SIZE NPT	HEIGHT	DISCS	AREA* (Sq. In.)
37MD1	3/8"	2"	1	8"
37MD2	3/8"	2 3/8"	2	16"
37MD3	3/8"	2 3/4"	3	24"
50MD1	1/2"	2 1/8"	1	8"
50MD2	1/2"	2 1/2"	2	16"
50MD3	1/2"	2 7/8"	3	24"
50MD5	1/2"	3 5/8"	5	40"
75MD3	3/4"	3 1/4"	3	24"
75MD4	3/4"	3 5/8"	4	32"
75MD5	3/4"	4"	5	40"
100MD6	1"	4 5/8"	6	48"
100MD7	1"	5"	7	56"



See Pg. 13 (Bottom) for view of screen



Return Line Sump Diffusers Disc Types

Prevents Oil From Foaming

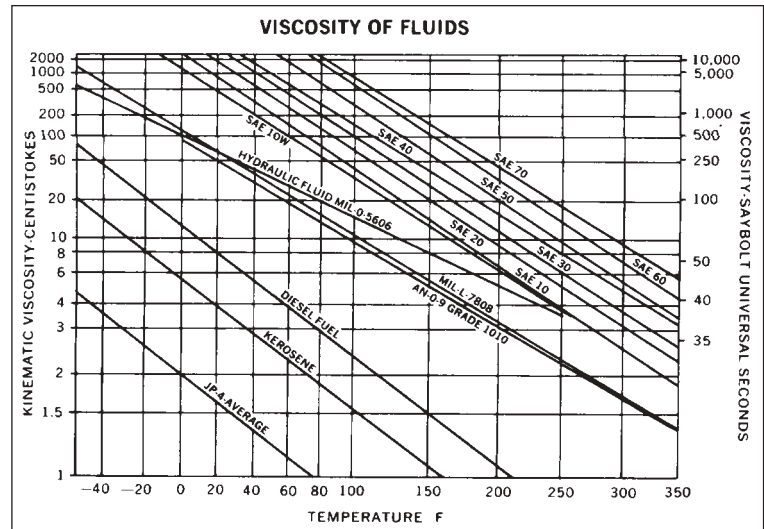
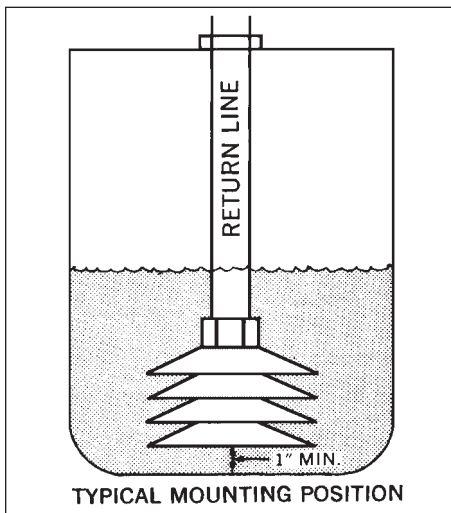
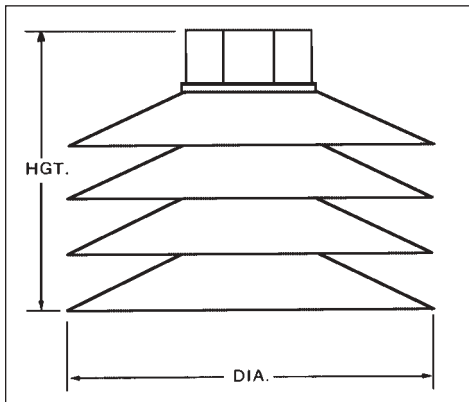
Model R

Return Line Sump Diffusers are used to reduce the velocity of oil returning from the hydraulic system and are installed on the end of the return line, inside the reservoir. A velocity of 1 foot per second or less is desirable to prevent foaming and channeling of the hot oil.

Lenz Disc Type Sump Diffusers are designed to slow down and spread out the returning oil, to mix with remaining cool oil in the sump. Specify 8 or 30 mesh wire cloth in these assemblies.



MODEL NUMBERS	PIPE SIZE	GPM	DIMENSIONS	
			DIA.	HGT.
75R2	3/4"	25	3 3/4"	1 3/4"
100R3	1"	40	3 3/4"	2 1/2"
125R3	1 1/4"	50	4 1/4"	2 9/16"
150R3	1 1/2"	60	5"	2 5/8"
150R4	1 1/2"	80	5"	3"
200R3	2"	90	6"	2 3/8"
200R4	2"	115	6"	2 3/4"
250R4	2 1/2"	115	6"	3"



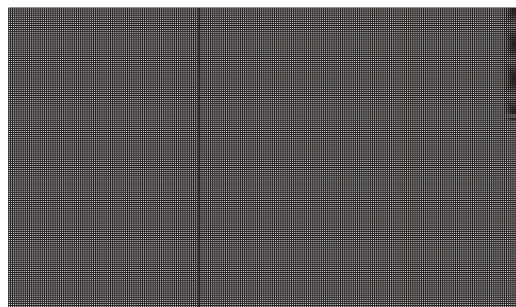
(View of disc screen)



FILTERS – ACTUAL SIZE MESH

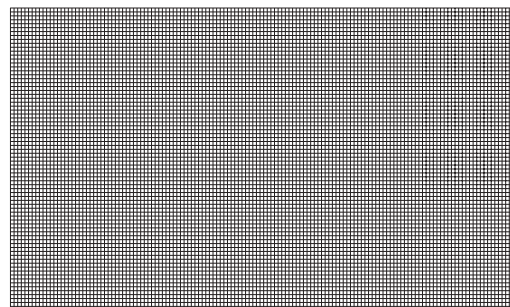
LENZ Cleanable Wire Cloth Filters are equipped with Stainless Steel Wire Cloth Elements. The filtering insert elements are available from a coarse 30 mesh up to a fine 200 mesh. To better illustrate mesh sizes, we have shown below the actual size mesh of the 100, 80, 50, 40, and 30 mesh stainless steel wire screen. In addition 10 and 30 micron pleated, paper elements are available.

We stock the 200, 100, 60, and 30 Stainless Steel Wire Mesh Screen. (100 Mesh—Standard)



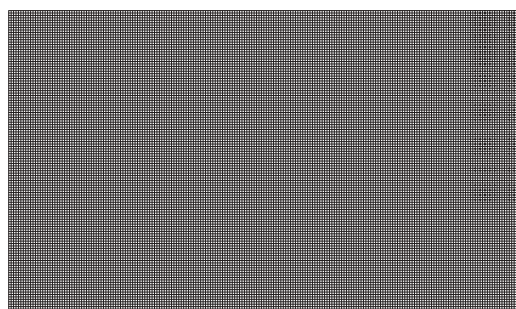
100 MESH

Wire diameter .0045
Width of opening .0055 = 141 Microns



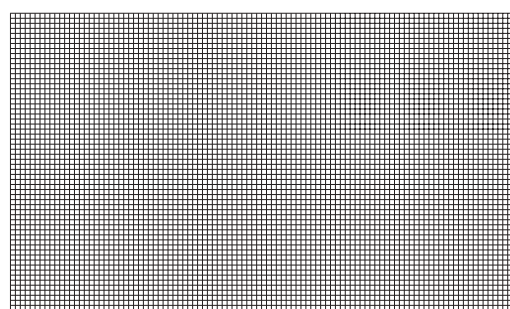
50 MESH

Wire diameter .0080
Width of opening .0120 = 308 Microns



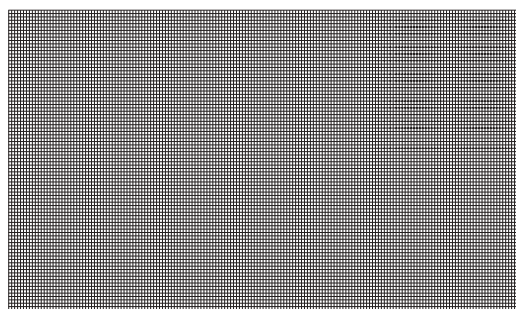
80 MESH

Wire diameter .0055
Width of opening .0070 = 180 Microns



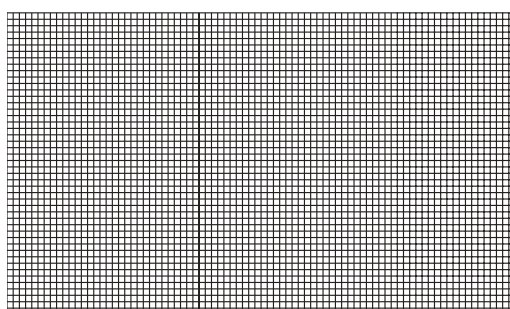
40 MESH

Wire diameter .0100
Width of opening .0150 = 385 Microns



60 MESH

Wire diameter .0065
Width of opening .0102 = 262 Microns



30 MESH

Wire diameter .0120
Width of opening .0213 = 546 Microns

150 MESH

Wire diameter .0026
Width of opening .0041
Microns = 105

200 MESH

Wire diameter .0021
Width of opening .0029
Microns = 74





TANK ACCESSORIES



FILLER BREATHERS
FILTER BREATHERS
DESICCANT BREATHERS
PRESSURIZED BREATHERS
FILL NECKS
PORT FLANGES
BALL VALVES
END COVERS

SIGHT GAUGES
SIGHT GLASSES
TANK MAGNETS
SUCTION & RETURN FLANGES
RUBBER BUSHINGS
VENT BTREATHERS
DIPSTICKS
MAGNETIC PLUGS



SERIES	TANK ACCESSORIES	SECTION B	
		Page	
TA	Product Overview Photo		
	Product Overview Index		
57XL	Extra Large Filler breathers	1b	New Products
LC-57XL	Lockable Filler Breather	1b	
	Options For Filler Breathers	1b	
SM	Sidemount Breathers	2b	
537, 557	Filler Breathers	2b	
HYD, HDF	Fuel & Hydraulic Fill Necks	3b	
ABS	Nylon Tank Top breathers	4b	New Products
LWR	Weld Risers	4b	
LGB	Air Filter Breathers	5b	New Products
FCS	Super Filler Caps	6b	
FCSM	Mini Filler Breathers	6b	New Products
BF	Metal Threaded Filler breathers	7b	
NY	Plastic Threaded Filler Breathers	8b	New Products
NYPF	Nylon Push Fit breather	9b	New Products
LDP	Eye Handle Dipsticks	9b	New Products
LF2	2" Threaded Cap	10b	New Products
LVB	Nylon Vent Breathers	10b	New Products
NYPO	Nylon Push On Breather	11b	
DB	Desiccant Breathers	12b	
LRB	Rubber Bushings	13b	New Products
TC	Tank Cleanout Covers	14b	
MDP	Magnetic Drain Plugs	14b	
RF, SF	Reservoir Flanges (Suction & Return)	15b	
LLG	Sight Level Gauge	16b	New Products
550	Fluid Level Sight Gauge	17b	
LSW	Fluid Level Sight Window	18b	
LSD, LSG	Oil Level Indicators	19b	New Products
1000-4000	Magnetic Tank Cleaners	20b/21b	New Products
LHBV	High Pressure Ball Valves	22b	New Products
LPBV	Low pressure Ball Valves	23b	New Products
W	Port Flanges	24b/25b/26b/27b	
	Notes	28b	



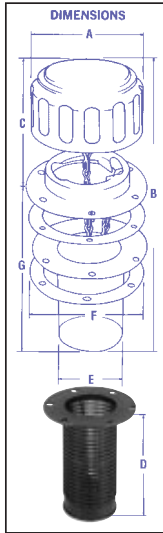


Filler Breather Caps

Extra LARGE-Bayonet Style Filler Strainer Breather

Model 57-XL

- Gives 5 Times Greater Filter Air flow Than Standard Units
- 200 GPM or 26.7 CFM
- Keeps Reservoir Fluids Clean, Protects and Prolongs Hydraulic System Life!
- Each unit packaged in kit with instructions and template for drilling mounting holes.
- Strainer lengths, screen mesh and materials can be varied to meet special needs.



Nickel-Chrome Plated Cap - Large capacity, Twist-To-Lock, removable cap breathes and filters the air. Air vents are concealed permitting outdoor installation. Fluted finger insertions for easy gripping. 40 Micron (.0016") air filtering is standard (Part No. 40 XL CAP) with Superfine 10 Micron optional (Part No. 10 XL CAP).

Optional Black powder coated cap available.

Zinc Plated Safety Chain On Every Unit - Prevents loss of cap. J.I.C. approved (Comes as part of Cap).

Nickel Plated Close Neck Filter Flange, Bayonet type. Has six 7/32" holes positioned on a 2 7/8" bolt circle on a 3 1/4" dia. flange (Part No. 5).

Two Heavy Duty Oil Resistant Fiber Gaskets - Provide positive sealing between flanges. Have six matching holes (Part No. 8).

Stainless Strainer - 30 Mesh Stainless Screen Basket. 3" deep, 1 15/16" in diameter. Large area provides for rapid filling.

Screen mounting flange is stainless - with six matching holes (Part No. 7).

*Optional screens: 6" length, 100 mesh or 30 mesh. 8" length, 30 mesh

Six 10-24 Swagelock self-tapping screws (Part No. 9) - prevent metal particles from getting into reservoir during installation by swaging the threads instead of cutting them.

Optional 10-32 swagelock screws. See options page 6 for details.

Optional Nylon Strainer prevents punch out. Exp: 57XL-40N

Ordering Code

- 57-XL - 40 - N - *

Omit (Standard)	Chrome Omit (Standard)	LC Locking Cap	ISO Hydraulic Fluid (Stamped In Cap)	AS Anti-Splash	BPC Black Powder (Coated Cap/Flange)	SS Stainless Cap
SM Side Mount						

40 40 Micron	10 10 Micron
---------------------	---------------------

1.5 HN	1.5" High Neck
3 HN	3" High Neck
DIP	Specify Dipstick Length

Full, Add, Low, Marks Available
Custom Lengths available

Omit	3" 30 Mesh (Standard)
3-100	3" 100 Mesh
N	4" Nylon
6-30	6" 30 Mesh
6-100	6" 100 Mesh
8-30	8" 30 Mesh

P-5	5 PSI Relief Valve
P-10	10 PSI Relief Valve

Pressurized Filler Breather Cap

57XL-10P-5 / 57XL-40P-5

This device is similar to a conventional breather, but it incorporates a relief valve set at 5 PSI and a vacuum breaker. When the fluid level first falls, air enters the reservoir through the vacuum breaker and filter. When the level rises, air is compressed rather than being expelled. Thereafter, changing fluid levels are accommodated by the changing size of the air bubble in the reservoir, instead of by breathing to atmosphere.

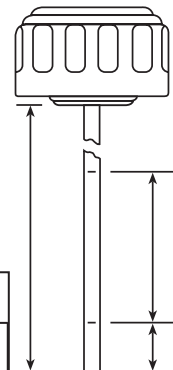
Pressurized breathers can reduce breathing by as much as 90% increasing the life of the breather filter by a factor of 10. They are recommended for systems that are expected to operate in extremely dusty environments and mobile applications to prevent spillage.

Dimensions: Same as 57XL series.
Optional: 10 PSI Relief Valve Setting.

Dimensional Detail

MODEL NUMBER	MICRON	GPM	AIR FLOW	STANDARD								
				A	B	C	D	E	F	G		
57XL	10, 40	200	30	IN	3	5.3	2.2	3.8	1.9	3.3	3	
				MM	76	135	56	97	48	84	76	
FCS-537	10, 40	180	26.7	IN	2.6	4.8	1.8	3.8	1.9	3.3	3	
				MM	66	121	46	97	48	84	76	
FCS-557	N/A	0	0	IN	2.5	4	1	3.8	1.9	3.3	3	
				MM	64	102	25	97	48	84	76	

*G = 3" Length Basket



Please supply drawing specifying lengths shown. Dipstick may be marked "FULL" and "ADD". Optional wording available.

See Next Page

See Next Page





Filler Breather Caps

Bayonet Style Filler Strainer Breather

Model FCS (40 or 10 Microns)

- 40 GPM or 5.3 CFM
- Keeps Reservoir Fluids Clean, Protects and Prolongs Hydraulic System Life!
- Each unit packaged in kit with instructions and template for drilling mounting holes.
- Strainer lengths, screen mesh and materials can be varied to meet special needs.



FCS-537

FCS-537-W

FCS-557

Ordering Code

* - FCS - 537 - 40 - N - *

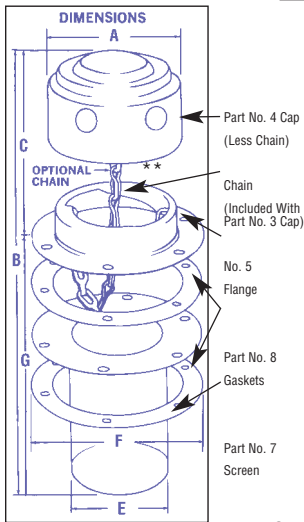
Omit	(Standard)	FCS 537	(Standard)
SM	Side Mount	FCS 537 W	Weatherproof
		FCS 557	Non Vent

40	(40 Micron)
10	(10 Micron)

1.5 HN	1.5" High Neck
3 HN	3" High Neck
DIP	Specify Dipstick Length

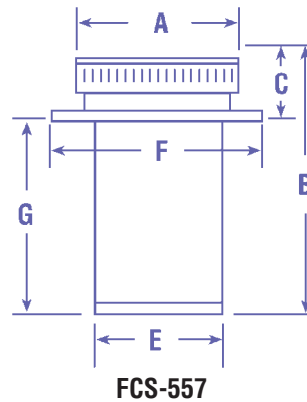
Full, Add, Low, Marks Available
Custom Lengths available

Omit	3" 30 Mesh (Standard)
N	4" Nylon
3-100	3" 100 Mesh
6-30	6" 30 Mesh
6-100	6" 100 Mesh
8-30	8" 30 Mesh



FCS-537

See dimensional chart on 1B



FCS-557

Side Mount Filler Cap Assemblies

Filler Strainer Breather

Model SM

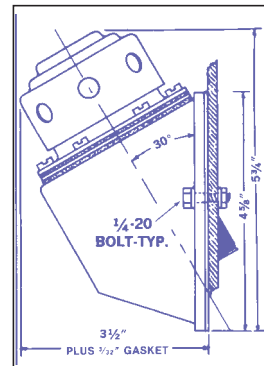
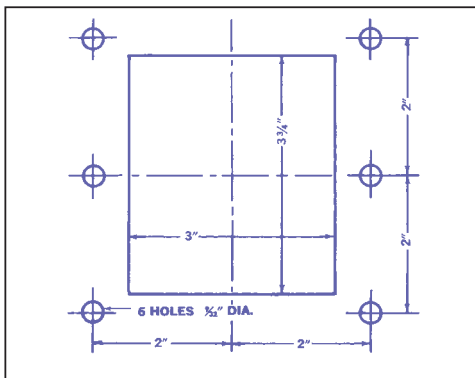
Filters, Breathes and Strains - Makes hydraulic fuel tank customizing easier. Designed for use on tanks that require filling from the end or side. Choice of standard or weather-proof cap (same as Model FCS) at no extra charge. The Super 3" cap used on Model 57-XL is available as an extra-cost option on these units. Fully assembled and ready to mount. Includes instructions and template.

May also be welded directly to side of reservoir.

Lenz Quality Standards - Newly designed, heavy-duty, one-piece housing is of zinc-plated steel. Six bolts with nuts and seals and mounting gasket are included. All other components and specifications are identical to those for Lenz Standard FCS Model or 57XL (Page 4). Nickel-chrome or black powder coated oxide finish optional at additional cost. Separate housings, unplated, are also available.



**New Heavy Gauge
Steel Housing**



Fuel & Hydraulic Filler Necks & Caps

Lenz Fuel/Hydraulic Filler Caps & Necks are fabricated of heavy gauge steel with an optional stainless steel screen. Fuel Caps are available in standard or lockable, non-vented or vented – the vented Fuel Caps having a built-in diaphragm to reduce spillage in case of rollover.

Hydraulic Fill Necks

HYD Series-Hydraulic Applications

- 16 gauge (.060) steel
- Tube extension .12 wall thickness, 2.21 diameter
- Standard 3", 6" & 8" length tube extension
- Tube extension not plated
- Safety chain standard

Diesel Fill Necks

HDF Series-Diesel Fuel Applications

- 16 gauge (.060) steel
- Tube extension .12 wall thickness, 2.56 diameter
- Standard 3", 6" & 8" length tube extension
- Tube extension not plated
- Safety chain standard

Options

- Stainless steel, aluminum available
- Angle tube cutoffs
- Lockable tab available
- Stainless steel screen std 4.5" 100 mesh
- Overflow tube available
- Threaded & flanged connection available



Note*
Tube extensions
chrome plated only
for photo.

Dimensional Detail

MODEL NUMBER	Optional Screen		Length C	D	E	Wall F
	A	B				
HYD125	IN	N/A	1.25	N/A	2.2	0.12
	MM	N/A	32	N/A	53	3
HYD270	IN	N/A	2.7	N/A	2.2	0.12
	MM	N/A	69	N/A	53	3
HYD403	IN	1	3	1.2	2.2	0.12
	MM	25	76	30	53	3
HYD406	IN	1	6	1.2	2.2	0.12
	MM	25	152	30	53	3
HYD408	IN	1	8	1.2	2.2	0.12
	MM	25	204	30	53	3
HYD4**	IN	1	N/A	1.2	2.2	0.12
	MM	25	N/A	30	53	3

3", 6" & 8" standard lengths, screen available on HYD125 consult factory

MODEL NUMBER	Screen		Length C	D	E	Wall F
	A	B				
HDF603	IN	1.44	3	1.5	2.6	0.12
	MM	37	76	38	66	3
HDF606	IN	1.44	6	1.5	2.6	0.12
	MM	37	152	38	66	3
HDF608	IN	1.44	8	1.5	2.6	0.12
	MM	37	204	38	66	3
HDF6**	IN	1.44	N/A	1.5	2.6	0.12
	MM	37	N/A	38	66	3

***SPECIFY LENGTH AND IF BASKET REQUIRED
MARK UP DRAWING AND FAX FOR A QUOTATION

Ordering Code

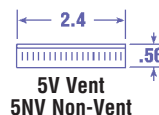
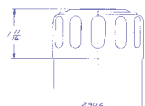
LC — HYD4 — 06 — 4.5

LOCK OPTIONAL
LC
OMIT

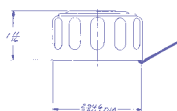
SERIES
HYD4
HDF6

NECK LENGTHS
03 3"
06 6"
08 8"
SPECIFY

LENGTH SCREEN OPTIONAL
4.5"
OMIT



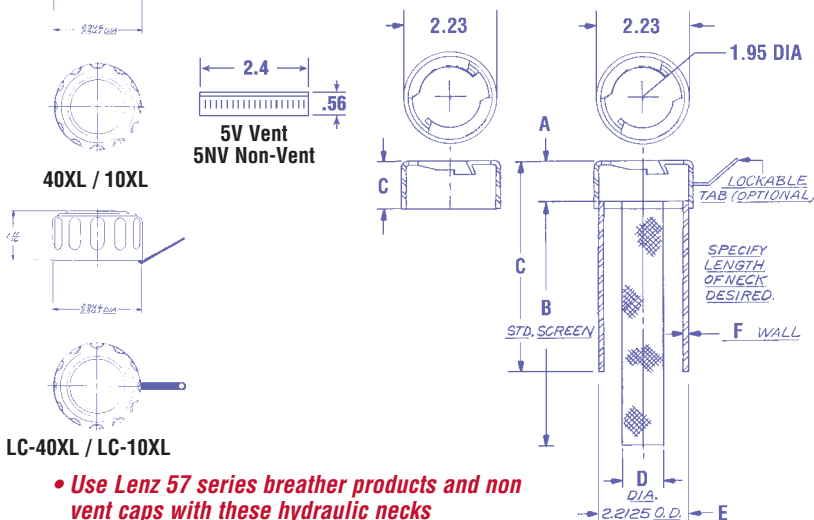
40XL / 10XL



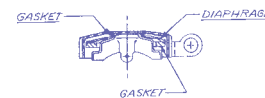
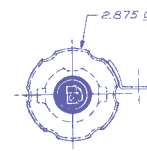
LC-40XL / LC-10XL

• Use Lenz 57 series breather products and non vent caps with these hydraulic necks

Hydraulic Neck "HYD"

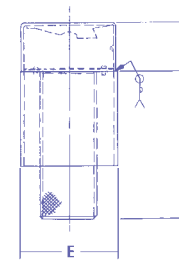
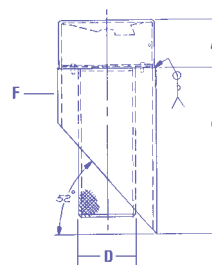
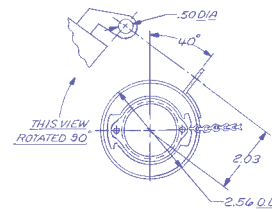
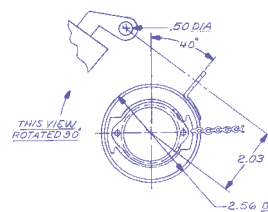


Diesel Caps



6V / 6VLC

Diesel Neck "HDF"



*Caps ordered separately see page 1b / 2b for cap options.



Filler Breather Tank-Top Mount

Model ABS-40/ABS-30

PART	DESCRIPTION	GPM	CFM
ABS-40	40 Micron - Polymide 66-Nylon	79	10
ABS-30	40 Micron - Polymide 66-Nylon	26	4

Filler Breather for tank-top installation with breather and strainer basket.

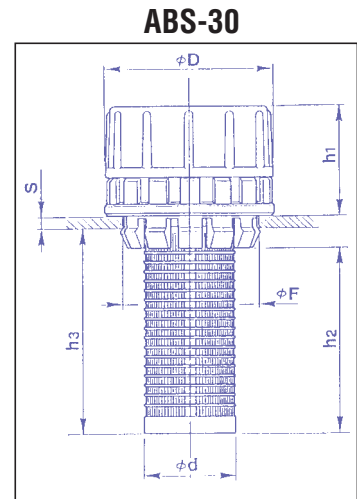
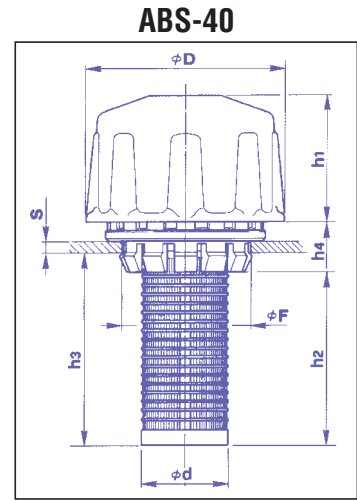
Filler Breather Cap has internal thread, and screws onto the main body, located in the tank.

This filler breather assembly contains a 40 Micron breather cap, a snap locking ring on main body, a threaded locking ring with "O" ring seal, and strainer basket.

Main body is placed in a pre-drilled hole 2.16" (55 mm) minimum, 2.18" (55.3) maximum in the top of reservoir (tank). The wall thickness must not exceed .3149" (8 mm) and not less than .0781" (2 mm). The threaded locking ring with "O" ring, secures and seals the main body to the tank.

Safety chain is standard, which connects the cap to the body, preventing loss of cap when removed.

With this filler breather assembly, drilling, tapping and aligning of mounting holes is not needed, reducing labor costs.



Dimensional Detail

MODEL		D	h2	d	h1	h4	F	h3	S
ABS-40	IN	3.5	3.1	1.5	2.2	0.8	2.2	3.5	.1-.3"
	MM	88	80	38	55	21	55	88	2-8mm
ABS-30	IN	2.8	3.1	1.5	1.9		2.2	3.5	.1-.3"
	MM	70	80	38	47		55	88	2-8mm

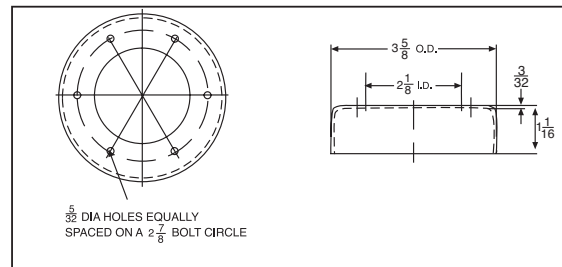
Weld Neck Risers

Model LWR

The "LWR" series Weld Neck Risers are designed to raise filler breather assemblies up to 1" above the surface of the tank top. This low cost riser eliminates costly repairs brought on by contamination and water being swept into the reservoir.



MODEL	MATERIAL	HEIGHT
LWR-1	Steel	1 ¹ / ₁₆ "
LWR-1-ALUM	Aluminum	1 ¹ / ₁₆ "
LWR-1-SS	Stainless	1 ¹ / ₁₆ "





LGB Air Breathers

Threaded / Bayonet Flange

Model LGB

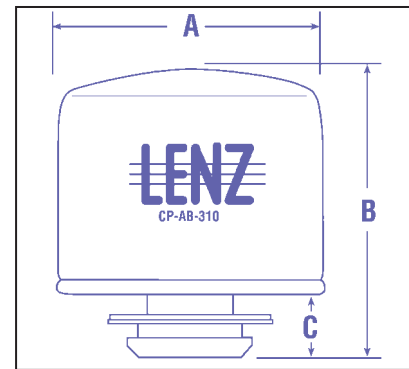
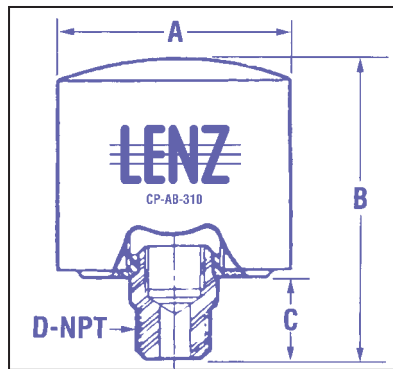
- White metal filter canister
- Zinc plated steel adapter
- Air flow to 200 CFM (1125 GPM)
- Compatible with most fluids
- Temperature to 250° F (121° C)
- 1/2", 3/4" & 1" NPT Threads
(Optional threads available; Consult Factory)

Options:

- 10 micron glass media
- 10 or 30 cellulose media



*Comes with flange, gasket, screen & mounting screws



Dimensional Detail

MODEL NO.	ADAPTER	ELEMENT	MICRON RATING	"D" PORT SIZE	DISPLACEMENT GPM	AIR FLOW (CFM)	B		C	A	FILTER AREA IN 2 (CM ²)
LGB-8-10-18	LABA-8-8	CP1018	10	1/2"	300	40	IN MM	4.4 112	1.0 25	3 76	113 (733)
LGB-8-03	LABA-8	CP-752-03	3	3/4"	600	100	IN MM	7.1 180	1.5 38	3.8 97	390 (2504)
LGB-8-10	LABA-8	CP-752-10	10	3/4"	900	100	IN MM	7.1 180	1.5 38	3.8 97	550 (3532)
LGB-8-30	LABA-8	CP-752-30	25	3/4"	900	100	IN MM	7.1 180	1.5 38	3.8 97	550 (3532)
LGB-12-310	LABA12-16	CP-AB-310	10	3/4"	300	40	IN MM	3.6 91	1.2 30	3.7 94	215 (1387)
*LGB-B-310	B12	CP-AB-310	10	BAYONET	300	40	IN MM	4 91	1.0 25	3.7 94	215 (1387)
LGB-12-03	LABA-12	CP-752-03	3	3/4"	1125	150	IN MM	7.1 180	1.5 38	3.8 97	390 (2504)
LGB-12-10	LABA-12	CP-752-10	10	3/4"	1125	150	IN MM	7.1 180	1.5 38	3.8 97	550 (3532)
LGB-12-30	LABA-12	CP-752-30	25	3/4"	1125	150	IN MM	7.1 180	1.5 38	3.8 97	550 (3532)
LGB-16-03	LABA-16	CP-752-03	3	1"	1250	200	IN MM	7.1 180	1.5 38	3.8 97	390 (2504)
LGB-16-10	LABA-16	CP-752-10	10	1"	1250	200	IN MM	7.1 180	1.5 38	3.8 97	550 (3532)
LGB-16-30	LABA-16	CP-752-30	25	1"	1250	200	IN MM	7.1 180	1.5 38	3.8 97	550 (3532)
LGB-20-10	LABA-20	CP-1282-10-50	10	1 1/4"	1875	250	IN MM	9.4 239	1.5 38	4.8 122	945 (6069)
LGB-20-25	LABA-20	CP-1282-25-50	25	1 1/4"	1875	250	IN MM	9.4 239	1.5 38	4.8 122	945 (6069)





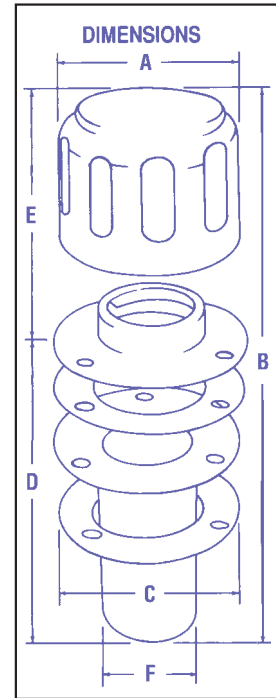
Filler Breather Mini Cap Filler Strainer Breather

Model FCS-M

- Chrome plated steel cap
- 30 mesh basket
- 3-10/32" self tapping screws for flange mount
- Cork gaskets
- Air flow to 10 CFM (30M /MIN)
- 15/8" inch (41.3 mm) diameter bolt circle
- For use with petroleum based fluids, high water glycols and water/oil emulsions

Options

- 10 or 40 micron foam elements



Dimensional Detail

MODEL	MICRON RATING	DISPLACEMENT GPM	AIRFLOW CFM	DIMENSIONS								WEIGHT LB/KG
				A	B	C	D	E	F			
FCS-M	40	71	10	IN	1.9	4.0	2	2.6	1.4	1.1	1.5	
	270			MM	48	101	52	66	35	27	0.7	
FCS-10M	10	36	5	IN	1.9	4.0	2	2.6	1.4	1.1	1.8	
	135			MM	48	101	52	66	35	27	0.8	

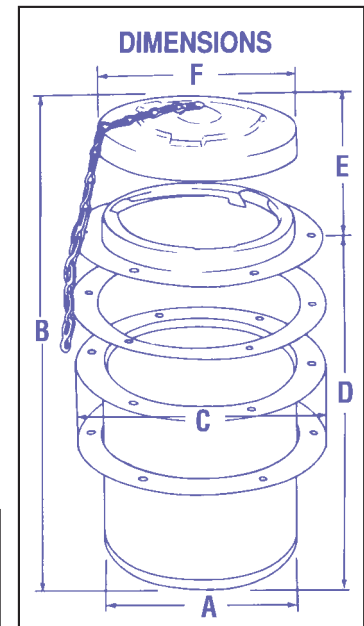
Super Filler Cap Assembly

Model FCS-1303

- Plated steel cap mesh wire basket
- 6-8/32" self tapping screws for flange mount
- Cork gaskets
- 4 15/16" inch (125 mm) diameter bolt circle
- For use with petroleum based fluids, high water glycols and water/oil emulsions

Options

- 24 or 70 mesh stainless screens



Dimensional Detail

Model No.	MESH	A		B	C	D	E	F
FCS-1303-70	70	IN	4.4	5.1	5.6	4	1.1	4.4
		MM	112	130	142	102	28	112
FCS-1303-24	24	IN	4.4	5.1	5.6	4	1.1	4.4
		MM	112	130	142	102	28	112





Breather Filter-Threaded Metal Assemblies

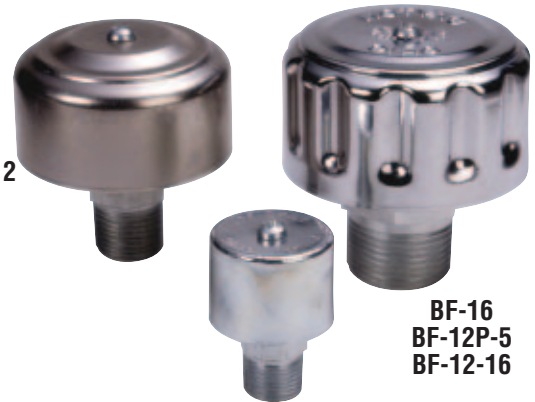
Breather Filter

Model BF

These units act as ventilators to provide a free flow of clean, fresh air into hydraulic fluid, fuel, oil, chemical and coolant tanks or reservoirs. They compensate for changes in fluid level, temperature and altitude . . . provide positive protection for airborne contamination for tanks, pumps, valves, cylinders and other components. Large oil resistant filter elements filter dirt and dust particles as small as 10 Microns (40 micron standard). Cover removes for easy cleaning. BF-4 & BF-6 Zinc plated. BF-8, BF-12 Nickel plated & BF-16 Nickel-chrome.

10 MICRON OPTION: EXAMPLE BF-6-10M

BF-8 & BF-12

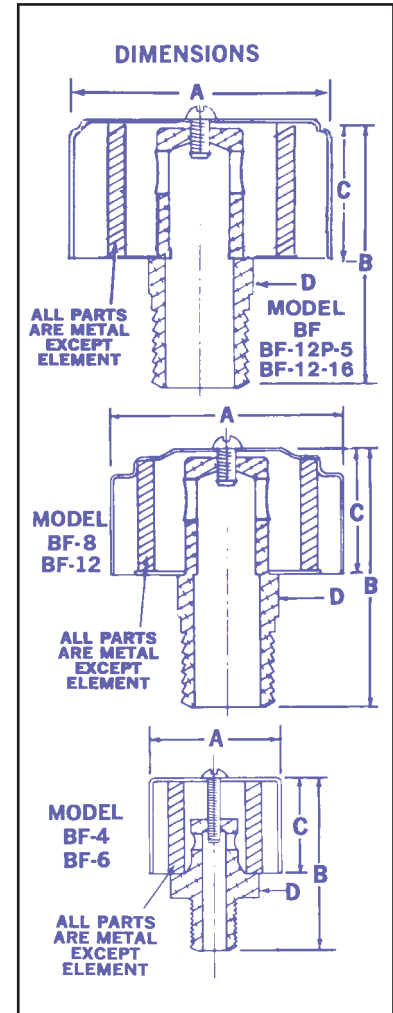


BF-16
BF-12P-5
BF-12-16

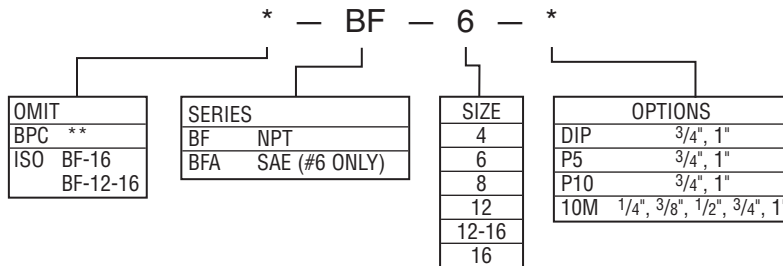
BF-4 & BF-6

Dimensional Detail

MODEL	MICRON	PIPE SIZE	AIR FLOW		A	B	C	D
BF-4	10, 40	1/4	4	IN	1.4	1.9	1	0.7
				MM	35	47	25	18
BF-6	10, 40	3/8, 9/16-18	4	IN	1.4	1.9	1	0.7
				MM	35	47	25	18
BF-8	10, 40	1/2	35	IN	2.6	2.9	1.4	0.9
				MM	67	74	36	24
BF-12	10, 40	3/4	40	IN	2.6	3	1.4	1.1
				MM	67	76	36	27
BF-12-16	10, 40	3/4	40	IN	3	3.3	1.7	1.4
				MM	76	83	43	36
BF-16	10, 40	1	75	IN	3	3.3	1.7	1.4
				MM	76	83	43	36



Ordering Code

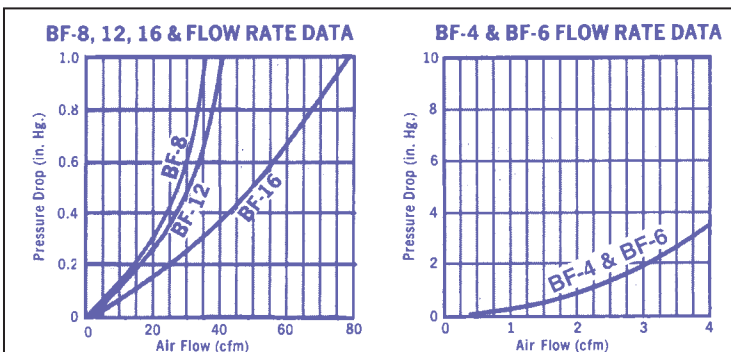


Pressurized Breather Filter

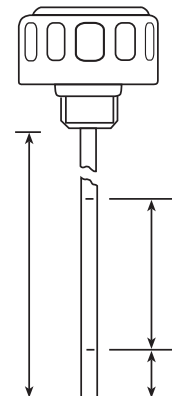
BF-12P-5

This device is similar to a conventional breather, but it incorporates a relief valve set at 5 PSI and a vacuum breaker. When the fluid level first falls, air enters the reservoir through the vacuum breaker and filter. When the level rises, air is compressed rather than being expelled. Thereafter, changing fluid levels are accommodated by the changing size of the air bubble in the reservoir, instead of by breathing to atmosphere.

Pressurized breathers can reduce breathing by as much as 90% to 95%, increasing the life of the breather filter by a factor of 10. They are recommended for systems that are expected to operate in extremely dusty environments and mobile applications.



10 Micron



Please supply drawing specifying lengths shown. Dipstick may be marked "FULL" and "ADD". Optional wording available.





NY

Nylon Filler Breathers

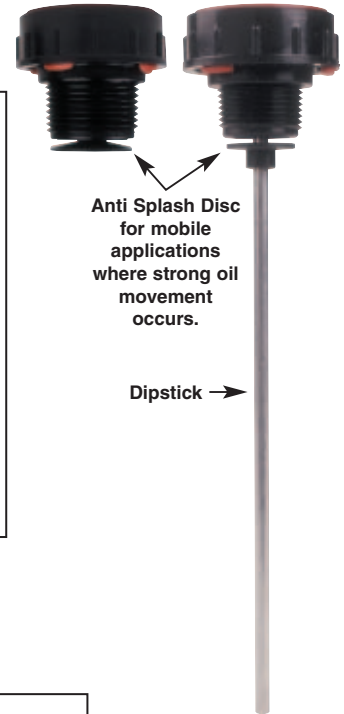
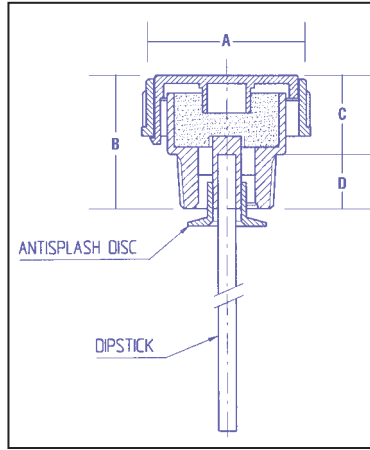
Specifications

- 1/4" to 1 1/4" NPT Threaded Filter Filler Breathers
- Thermoplastic Polyamide 66 Material
- Maximum Operating Temperature 250°F (100°C)
- Compatible with Petroleum Based Fluids, Gasoline, Fuel, and variety of Solvents
- Not compatible with Alcohol
- 10 or 40 micron polyurethane elements
- Buna Seals
- Anti splash option available
- NPT Threads
- Maximum Pressure 47 PSI (3 Bar)
- Optional steel plated dipstick available up to 7.9 inches (200 mm) and can be marked with min & max notches upon request.
- Measure from end to thread.



Dimensional Detail

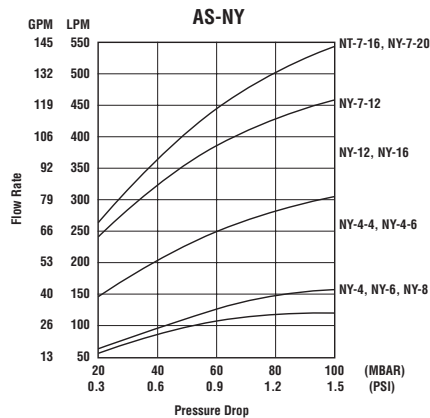
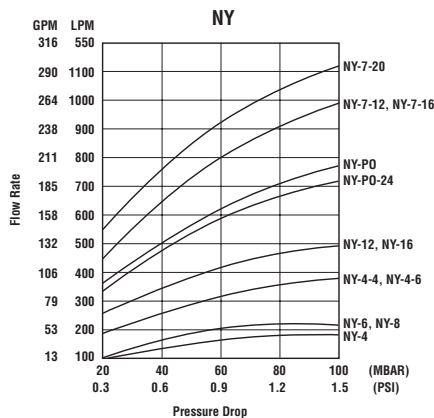
MODEL	PORT SIZE		A	B	C	D
NY-4	1/4"	IN	1.2	1.4	0.8	0.6
		MM	30	35	21	14
NY-4-4	1/4"	IN	1.6	1.3	0.8	0.5
		MM	41	33	21	12
NY-6	3/8"	IN	1.2	1.4	0.8	0.6
		MM	30	36	21	15
NY-4-6	3/8"	IN	1.6	1.3	0.8	0.5
		MM	41	34	21	13
NY-8	1/2"	IN	1.2	1.4	0.8	0.6
		MM	30	36	21	15
NY-12	3/4"	IN	1.8	1.5	0.9	0.6
		MM	46	38	22	16
NY-7-12	3/4"	IN	2.8	2	1.4	0.7
		MM	70	52	35	17
NY-16	1"	IN	1.8	1.5	0.9	0.6
		MM	46	38	22	16
NY-7-16	1"	IN	2.8	2.1	1.4	0.7
		MM	70	54	35	19
NY-7-20	1 1/4"	IN	2.8	2.2	1.4	0.8
		MM	70	55	35	20



Ordering Code

AS - NY - 4 - 6 - DIP**

OPTIONS OMIT NONE AS ANTI-SPLASH	SERIES NY NPT	DIAMETER- PORT SIZE OMIT 1.2 INCHES 1/4", 3/8", 1/2" 4 1.6 INCHES 1/4", 3/8", 1/2" OMIT 1.8 INCHES 3/4", 1" 7 2.8 INCHES 3/4", 1", 1 1/4"	THREAD 4 1/4" 6 3/8" 8 1/2" 12 3/4" 16 1" 20 1 1/4"	OPTIONS 10M 10 MICRON DIP** DIPSTICK SPECIFY INCHES UP TO 24 INCHES
---	-------------------------	--	--	---



NY-PF

Nylon Push Fit Breathers

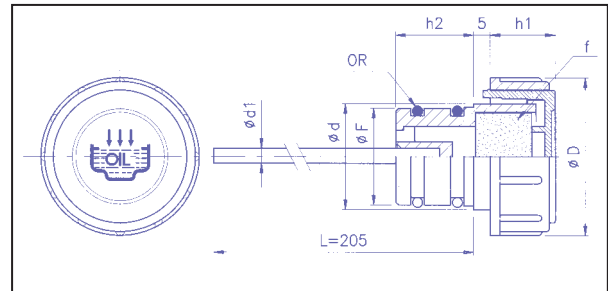
Specifications

- .7 in to 1.2 in. (18 to 30 mm) Push Fit Filter Filler Breathers
- Push fit breather with easy grip vertical ribs fit snugly into pre-drilled hole and seals by O Ring hole tolerance .003 in. (0.1mm)
- Thermoplastic Polyimide 66 Material
- Maximum Operating Temperature 250°F (100°C)
- Compatible with Petroleum Based Fluids, Gasoline, Fuel, and variety of Solvents
- Not compatible with Alcohol
- 10 or 40 micron polyurethane elements
- Buna Seals
- Anti splash option available
- Maximum Pressure 47 PSI (3 Bar)
- Optional steel plated dipstick available up to 7.9 inches (200 mm) and can be marked with min & max notches upon request



Dimensional Detail

MODEL NO.		F	D	d	hi	di	hz
NYPF-18	IN	0.71	1.42	0.91	0.67	0.2	0.79
	MM	18	36	23	17	5	20
NYPF-20	IN	0.79	1.42	0.94	0.67	0.16	0.75
	MM	20	36	24	17	4	19
NYPF-26	IN	1.02	1.61	1.1	0.67	0.16	0.83
	MM	26	41	28	17	4	21
NYPF-30	IN	1.18	1.85	1.3	0.67	0.16	0.83
	MM	30	47	33	17	4	21
NYPFV-18	IN	0.71	1.42	0.91	0.67	0.2	0.79
	MM	18	36	23	17	5	20
NYPFV-20	IN	0.79	1.42	0.94	0.67	0.16	0.75
	MM	20	36	24	17	4	19
NYPFV-26	IN	1.02	1.61	1.1	0.67	0.16	0.83
	MM	26	41	28	17	4	21

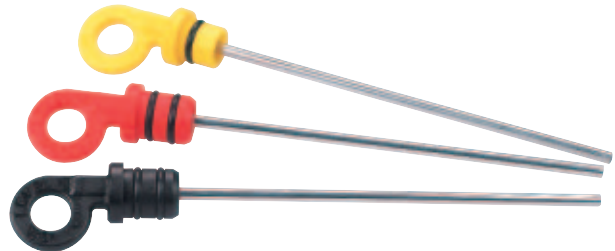


ADD AS - As prefix for Antisplash
ADD DIP Suffix for Dipstick

LDP

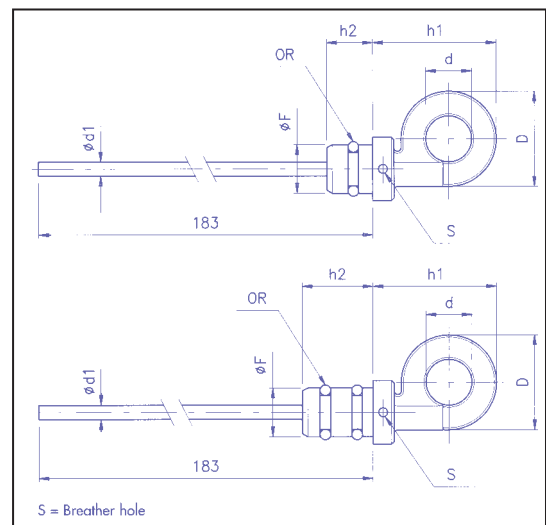
Eye Handle Dipsticks

- Eye handle steel plated dipsticks
- Handle material Thermoplastic Polyimide 66
- Starting chamfer is 45° degrees with hole tolerance .003 in. (.01 mm)
- Maximum Operating Temperature 250° F (100° C)
- Compatible with Petroleum Based Fluids, Gasoline, Fuel, and variety of Solvents
- Not compatible with Alcohol
- Optional breather hole available
- Buna Seals (one or two seals)
- Maximum length is 7.9 in. (200 mm)
- Maximum Pressure 47 PSI (3 Bar)
- Steel plated dipstick available up to 7.9 inches (200 mm) and can be marked with min & max notches upon request



Dimensional Detail

MODEL NO		F	D	d	H2	H1
LDP-1-14	IN	0.55	1.06	0.51	0.51	1.34
	MM	14	27	13	13	34
LDP-1-18	IN	0.71	1.26	0.55	0.67	1.77
	MM	18	32	14	17	45
LDP-1-20	IN	0.79	1.26	0.55	0.71	1.75
	MM	20	32	14	18	44.5
LDP-2-12	IN	0.47	1.18	0.55	0.79	1.42
	MM	12	30	14	20	36
LDP-2-14	IN	0.55	1.06	0.51	0.79	1.34
	MM	14	27	13	20	34
LDP-2-18	IN	0.71	1.3	0.55	0.83	1.73
	MM	18	33	14	21	44
LDP-2-20	IN	0.79	1.38	0.63	0.83	1.81
	MM	20	35	16	21	46



S = Breather hole

ADD V SUFFIX FOR BREATHER HOLE HOLE

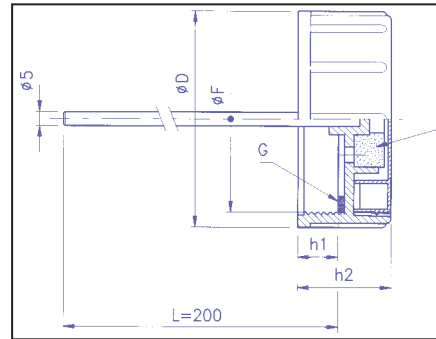


NY-LF2

Nylon Threaded Cap

Specifications

- 2 BSP Threaded Cap
- Thermoplastic Polyimide 66 Material
- Maximum Operating Temperature 250° F (100° C)
- Compatible with Petroleum Based Fluids, Gasoline, Fuel, and variety of Solvents
- Not compatible with Alcohol
- 40 micron polyurethane elements
- Buna Seals
- Safety chain available
- Optional Yellow Diesel Cap option available
- Maximum Pressure 47 PSI (3 Bar)
- Optional steel plated dipstick available up to 7.9 inches (200 mm) and can be marked with min & max notches upon request



Dimensional Detail

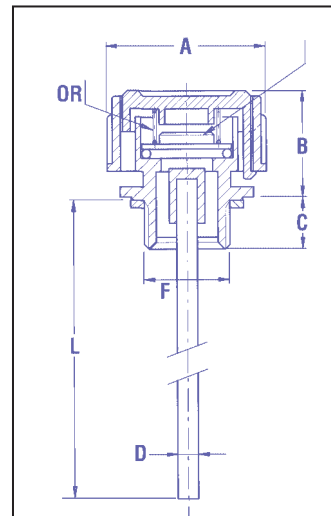
MODEL NO.	F	THREAD	D	H1	H2	G	F
NY-LF2	IN MM	2 67.5	2.7 15	0.6 30	1.2 Gasket	Buna Element	40 micron

NY-LVB

Nylon Vent Breathers

Specifications

- 1/4", 3/8", 1/2" NPT Vent Filler Breathers
- Valve Opens when pressure exceeds 4 PSI (.25 Bar) avoids loss of oil and valve allows excess pressure to escape
- Thermoplastic Polyimide 66 Material marked with check valve symbol
- Maximum Operating Temperature 250° F (100° C)
- Compatible with Petroleum Based Fluids, Gasoline, Fuel, and variety of Solvents
- Not compatible with Alcohol
- 10 or 40 micron polyurethane elements
- Buna Seals
- Anti splash option available
- Maximum Pressure 47 PSI (3 Bar)
- Optional steel plated dipstick available up to 7.9 inches (200 mm) and can be marked with min & max notches upon request



Dimensional Detail

MODEL NO.	F	OR	L	A	B	C	D
NY-LVB-4	IN	1/4"	4 PSI	7.7	1.2	0.8	0.5
	MM		0.3 Bar	195	30	21	12
NY-LVB-6	IN	3/8"	4 PSI	7.7	1.2	0.8	0.5
	MM		0.3 Bar	195	30	21	12
NY-LVB-8	IN	1/2"	4 PSI	7.7	1.2	0.8	0.6
	MM		0.3 Bar	195	30	21	14

ADD AS - As prefix for Antisplash
ADD DIP Suffix for Dipstick



NYPO-24

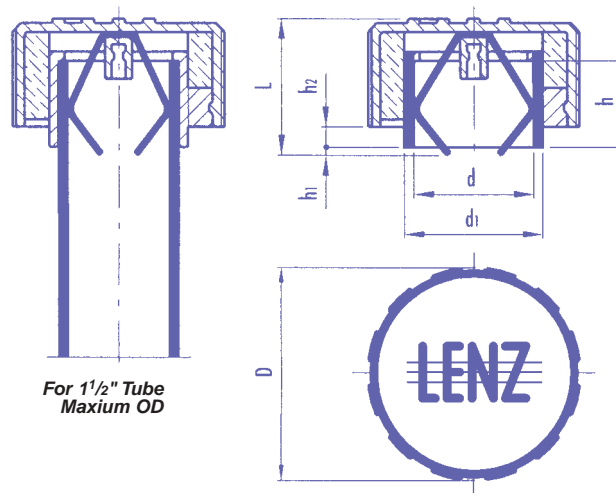
Push on Breathers

Specifications

- Thermoplastic Polyamide 66 Material
- Maximum Operating temperature 250 degrees (100 C)
- Compatible with Petroleum Based Fluids, Gasoline, Grease
- Spring steel plated clip
- 10 or 40 micron polyurethane elements
- Maximum outside diameter 1.5" or 39 MM
- Optional dipstick available



Optional Dipstick



For 1/2" Tube
Maximum OD

Dimensional Detail

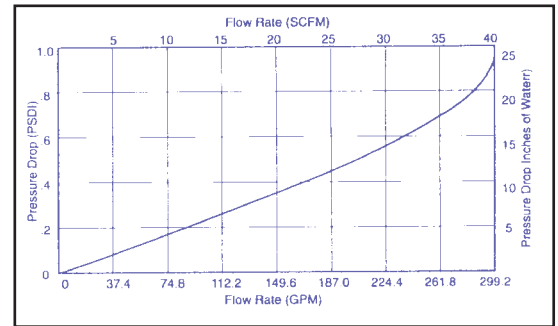
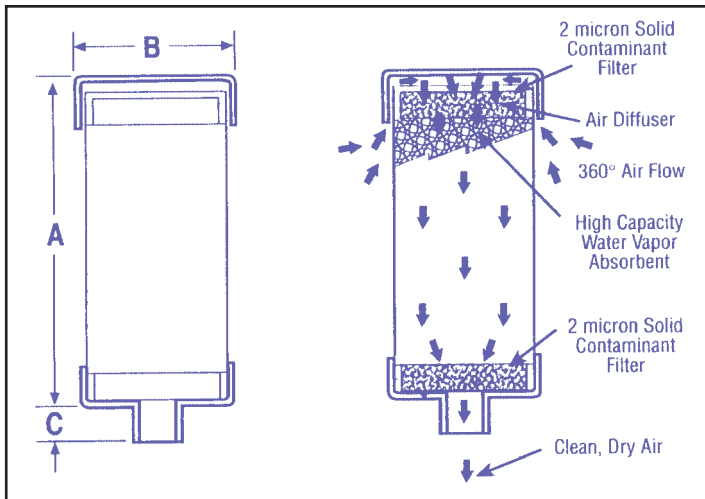
MODEL NO.		d	h	D	L	d1	h1	h2	LBS/GR
NYPO-24	IN	1.5	1.1	2.8	1.9	1.8	0.1	0.3	0.2
	MM	39	28	70	48	45	3	7	67



Desiccant Breathers

Model DB

- Construction: ABS plastic & impact-modified acrylic
- Removes corrosive water vapor
- Operating temp. range: -20° F to +200° F (-28° C to +93° C)
- Four standard sizes (3" to 10")
- Bi-directional air flow
- Silica gel turns from gold to green when maximum absorption is reached
- Dual filter system with anti-static guard
- Airflow: Standard 260 GPM
- 2 micron filtration
- Solid contaminant filtration surface area 20.6 in² (133 cm²)
- Silica gel absorbs up to 40% of its weight in water
- Resistant to alkalis, hydrocarbons, non-oxidizing acids, salt water, and synthetic oils
- Option: Activated charcoal media (consult factory)



Dimensional Detail

MODEL NO.	BREATHER CONNECTOR	MICRON RATING	CAPACITIES		MAX. H2O CAPACITY		A		B		C	
			CFM	GPM	LBS.	LTR.	IN.	CM.	IN.	CM.	IN.	CM.
DB-03	1 5/16" O.D. Tube	2	35	260	.2	.1	3.5	9.0	5	12.8	1.25	3.2
DB-05	1 5/16" O.D. Tube	2	35	260	.4	.2	5.0	12.8	5	12.8	1.25	3.2
DB-08	1 5/16" O.D. Tube	2	35	260	.9	.5	8.0	20.5	5	12.8	1.25	3.2
DB-10	2" NPT	2	66	500	1.3	.6	10.0	25.4	5	12.8	1.25	3.2

Note: Connector for sizes 3, 5 and 8 1 5/16" O.D. tube is designed to interface fit with an adapter on new installations – adapters need not be replaced

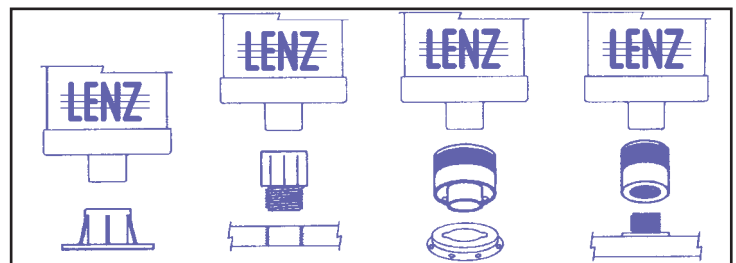
DB-FA
Flange
Adapter

DB-R1/2"
Threaded
Adapter

DB-BA
Bayonet
Adapter

DB-C1/2"
Spin-on
Adapter

MODEL NO.	DESCRIPTION
DB-BA	Bayonet Adapter
DB-C1	1"-12 UNF Female to Female Coupling
DB-C2	1 1/2"-16 UNF Female to Female Coupling
DB-FA	Flange Adapter
DB-R1	1" NPT Pipe Thread Reducer
DB-R2	3/4" NPT Pipe Thread Reducer
DB-R3	1/2" NPT Pipe Thread Reducer

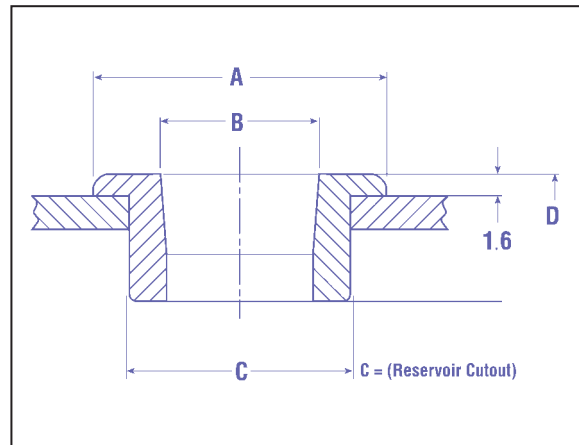
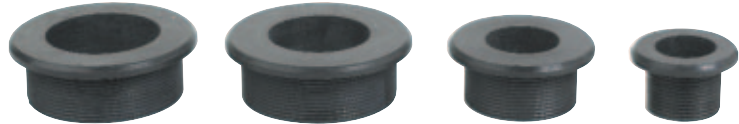


Rubber Bushings

LRB Series

- Nitrile Rubber
- 1/8" to 2" pipe and tube diameters
- Compatible with mineral & petroleum based fluids
- Available in packages of 10

A comprehensive range of rubber bushings designed to reduce vibration noise and seal pipes and tubes in the reservoir top plate. Do not use below the oil level.



Dimensional Detail

MODEL	B PIPE	B TUBE	B MM	A INS	MM	C INS	MM	D INS	MM	WEIGHT LBS	KG
LRB-2801		1/4"	6	1.2	30	0.7	18.3	0.7	18	0.02	0.007
LRB-2802			8	1.2	30	0.7	18.3	0.7	18	0.02	0.007
LRB-2803		3/8"		1.2	30	0.7	18.3	0.7	18	0.02	0.007
LRB-2804	1/8"		10	1.2	30	0.7	18.3	0.7	18	0.01	0.006
LRB-2805		1/2"	12	1.2	30	0.7	18.3	0.7	18	0.01	0.006
LRB-2806	1/4"		14	1.6	40	1.1	28.5	0.9	24	0.4	0.18
LRB-2807			15	1.6	40	1.1	28.5	0.9	24	0.37	0.17
LRB-2808		5/8"	16	1.6	40	1.1	28.5	0.9	24	0.35	0.16
LRB-2809		3/8"		1.6	40	1.1	28.5	0.9	24	0.35	0.16
LRB-2810			18	1.6	40	1.1	28.5	0.9	24	0.35	0.16
LRB-2811		3/4"		1.6	40	1.1	28.5	0.9	24	0.33	0.15
LRB-2812			20	1.6	40	1.1	28.5	0.9	24	0.29	0.13
LRB-2813	1/2"			1.6	40	1.1	28.5	0.9	24	0.26	0.12
LRB-2814		7/8"	22	1.6	40	1.1	28.5	0.9	24	0.26	0.12
LRB-2815			25	2.2	55	1.7	42.5	0.9	24	0.71	0.32
LRB-2816		3/4"		2.2	55	1.7	42.5	0.9	24	0.66	0.3
LRB-2817			28	2.2	55	1.7	42.5	0.9	24	0.64	0.29
LRB-2818			30	2.2	55	1.7	42.5	0.9	24	0.57	0.26
LRB-2819		1 1/4"		2.2	55	1.7	42.5	0.9	24	0.53	0.24
LRB-2820	1"			2.2	55	1.7	42.5	0.9	24	0.46	0.21
LRB-2821			35	2.2	55	1.7	42.5	0.9	24	0.4	0.18
LRB-2822		1 1/2"	38	2.8	70	2.3	58.5	0.9	24	1.32	0.6
LRB-2823			42	2.8	70	2.3	58.5	0.9	24	0.97	0.44
LRB-2824	1 1/4"			2.8	70	2.3	58.5	0.9	24	0.95	0.43
LRB-2825	1 1/2"			2.8	70	2.3	58.5	0.9	24	0.71	0.32
LRB-2826		2"	50	2.8	70	2.3	58.5	0.9	24	0.6	0.27
LRB-2827	2"			2.8	70	2.3	58.5	0.9	24	0.68	0.31



Tank Clean-out Covers

Model TC

MODEL		A	B	C	D	GASKET
TC-6	IN	6	4.3	0.4	14 GA.	TCG-6
	MM	152	109	10		
TC-12	IN	12	10	1.6	7 GA.	TCG-12
	MM	305	254	41		
TC-14	IN	14	12	2	7 GA.	TCG-14
	MM	356	305	51		
TC-18	IN	18	16	2.6	7GA.	TCG-18
	MM	457	406	66		

Lenz has introduced a new series of tank covers, "TC Series". The tank covers include seven models, ranging from a 6" to an 18" diameter. The TC Series tank covers are designed for ease of servicing hydraulic reservoirs through sidewall or through tank top.

Features Include:

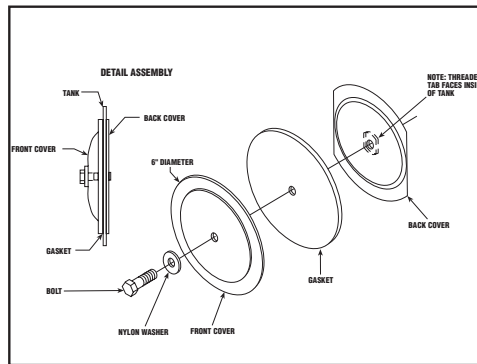
- Buna lip seal supplied
- Nylon crush washer supplied
- Zinc plated
- Heavy duty steel construction
- Durable no-leak gasket
- Quick easy access for cleaning and inspection
- For standard and fireproof hydraulic fluids
- Low cost
- Stocked for quick delivery

Options:

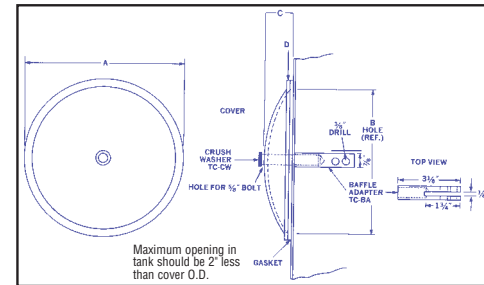
- 6", 12", 14", 18" Diameters
- Drain available – Add "D" to Model Number
- Stainless Steel – Add "SS" to Model Number
- TC-BA – Tank cover Baffle Adapter
- TC Bolt – 5/8"-11 Bolt (TC-BX"L") Specify length.



Drawing of TC-6



Drawing of TC-12



TC-BA Baffle Adapter is not included as part of the model numbers below. Order separately.

Magnetic Drain Plug

MDP Magnetic Drain Plug

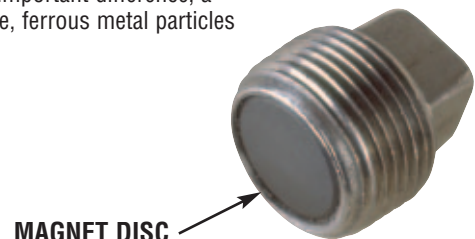
Models MDP Series

Lenz Magnet Plugs are similar to standard pipe or straight thread drain plugs with one important difference, a permanent magnet is fastened to the plug body. This magnet attracts and holds abrasive, ferrous metal particles preventing their circulation through the lubrication or hydraulic system.

These abrasive, ferrous metal particles appear in lubricating or hydraulic systems as a result of the following conditions:

- The constant flaking effect of normal wear of moving parts
- Particles not removed by flushing operations after boring or machining.
- Chipping due to sub-surface casting flaws.
- Minute component breakdown caused by stress usage.

Usually a combination of factors accounts for the presence of these particles that cause excessive wear to vital components unless they are removed. By holding these particles, Lenz Magnetic Drain Plugs prevent excessive wear to the system's components.



Dimensional Detail

Model Number	Nominal Pipe Size	Magnet Style & Style	A Overall Nominal Length in. mm	B Body Length in. mm	C Magnet Projection in. mm	D Head Size in. mm	E Head Depth in. mm	Body Material
MDP-4	1/4"	Bar Alnico V	.96 24	.45 11	.23 6	.37 9	.28 7	Steel
MDP-6	3/8"	Disc Ferrite	.80 20	.47 11	—	.43 11	.34 9	Steel
MDP-8	1/2"	Disc Ferrite	.96 24	.57 14	—	.56 14	.38 10	Steel
MDP-12	3/4"	Disc Ferrite	1.11 28	.62 15	—	.62 16	.45 11	Steel
MDP-16	1"	Disc Ferrite	1.52 38	.75 19	—	.81 21	.52 13	Mall. Iron



Reservoir Flanges

Suction and Return Line

Models SF & RF

Lenz Reservoir Flanges

Afford a leakproof seal for pipes or tubes passing through the reservoir top . . . keep fluid in, dirt out. No welding, no unions, and saves on piping assembly time. Both types come completely packaged with the parts as shown and with templates . . . ready for quick, easy installation. Meet ASA standards. They serve as economical inspection ports.



Suction Flanges

No. SF & SFO are designed for the suction pipe line of the reservoir. The parts are installed on the top of the tank as shown in the diagram, Figure 1. The larger models, SFO-24 to SFO-48, permit the use of filters larger than 4 1/2" in diameter*. All sizes allow the easy removal of suction strainers from ASA standard reservoirs.

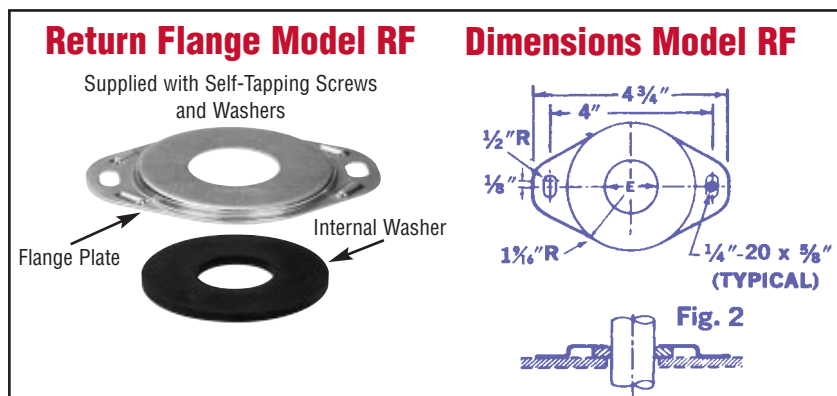
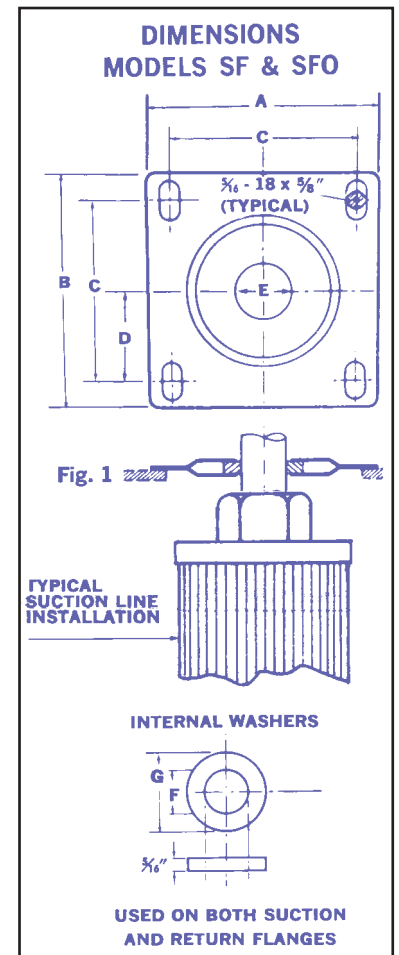
Return Line Flanges

No. RF Return Flanges are designed to accommodate the return pipe to the tank. The parts, as shown, are quickly and easily installed on the tank as shown in the diagram Figure 2. Range of model sizes and internal washer sizes are shown in table below in RF Models.

Dimensional Detail

PIPE SIZE	SUCTION FLANGE	RETURN FLANGE									
			A	B	C	D	E	F	G		
1/2"	SF-8	RF-8	IN	5.3	5.5	4.3	2.1	1.4	0.8	3	
			MM	135	140	109	53	36	20	76	
3/4"	SF-12	RF-12	IN	5.3	5.5	4.3	2.1	1.4	1	3	
			MM	135	140	109	53	36	25	76	
1"	SF-16	RF-16	IN	5.3	5.5	4.3	2.1	1.4	1.3	3	
			MM	135	140	109	53	36	33	76	
1 1/4"	SF-20	RF-20	IN	5.3	5.5	4.3	2.1	2	1.7	3	
			MM	135	140	109	53	51	43	76	
1 1/2"	SF-24		IN	5.3	5.5	4.3	2.1	2	1.9	3	
			MM	135	140	109	53	51	43	76	
1 1/2"	SFO-24	RF-24	INN	7.5	7.5	6.3	3.1	2	1.9	3	
			MM	191	191	160	79	51	48	76	
2"	SFO-32	RF-32	IN	7.5	7.5	6.3	3.1	2.5	2.3	3	
			MM	191	191	160	79	64	58	76	
2 1/2"	SFO-40	RF-40	IN	7.5	7.5	6.3	3.1	3	2.8	4.25	
			MM	191	191	160	79	76	71	108	
3"	SFO-48	RF-48	IN	7.5	7.5	6.3	3.1	3.8	3.5	4.25	
			MM	191	191	160	79	97	89	108	

*SF Models permit use of sump strainers up to 4 1/2" in diameter.
SFO Models permit use of sump strainers up to 6 1/2" in diameter.

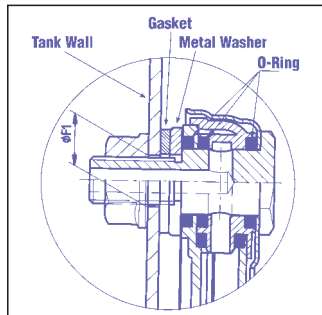
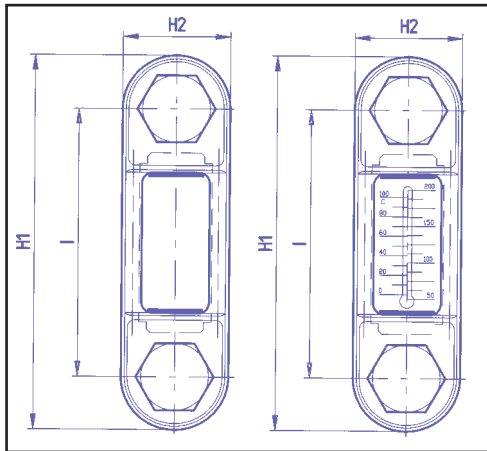




Sight level Gauge

LLG & T-LLG

- 3, 5, 10 in. (75, 127, 254 mm) mounting center transparent Oil Level Indicator with guard
- Transparent Polyimide Resin Material
- Guard is steel with black finish
- Maximum Operating Temperature 250°F (100°C)
- Compatible with Petroleum Based Fluids, Gasoline, Fuel, and variety of Solvents
- Not compatible with Alcohol
- 1/2-13 UNC or (10 mm, 12 mm) bolt threads available
- Maximum Pressure 47 PSI (3 Bar)
- Nitrile Seal
- T-LLG includes standard red thermometer or optional blue thermometer is available
- Stainless steel hardware is available

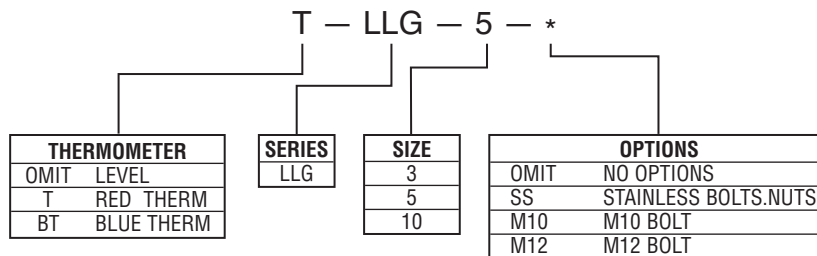


T-LLG-3 T-LLG-5 T-LLG-10

Dimensional Detail

MODEL	I		H1	H2	D DRILL		BOLT F		E	A	L	BOLT TORQUE
	IN	MM			13/64 (13)	10.2, 12.2 MM	1/2-13	M10, M12				
LLG-3, T-LLG-3	IN	3	4.2	1.2	13/64 (13)	1/2-13	0.8	0.8	1.5	11-12.4 FT-LBS		
	MM	76	107	31	10.2, 12.2 MM	M10, M12	20	21	39	15-17 NM		
LLG-5, T-LLG-5	IN	5	6.1	1.2	13/64 (13)	1/2-13	0.8	0.8	3.5	11-12.4 FT-LBS		
	MM	127	156	31	10.2, 12.2 MM	M10, M12	20	21	90	15-17NM		
LLG-10, T-LLG-10	IN	10	11.1	1.3	13/64 (13)	1/2 13	0.8	1.2	7.9	11-12.4 FT.-LBS		
	MM	254	283	34	10.2, 12.2 MM	M12	18	32	200	15-17NM		

Ordering Code



Fluid Level Sight Gauges

Sealed Back

Model 550/T-550

3 Sizes (3 1/4", 5" & 7" center to center)

Models 550 - 3 1/4", 5" & 7" body frames are of heavy aluminum alloy with flat black finish. Jam nuts and flat washers are steel; hollow mounting bolts are carbon steel, zinc plated and furnished for 1/4" thick reservoir walls. Special longer hollow bolts can be furnished on request for 7/8" & 1 1/2" thick walls. (12mm & 3/8"-24 bolts available) Stainless steel bolts available upon request.

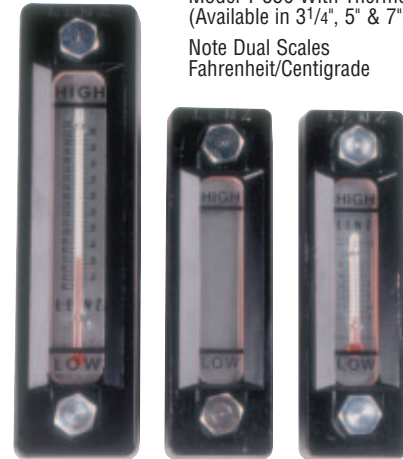
Standard 550 and T-550 models have 70 durometer buna - N, O-Ring Seals, silicone gaskets, tempered glass window and brushed aluminum backgrounds. They are for use with petroleum products, oil-water emulsions, and glycol-water solutions where temperatures do not exceed 200°F. Where the fluids used in the sight gauge is not known, we can furnish Viton O-rings (at additional cost).

T-550PE-5 Example:

(ethylene-propylene for phosphate ester base fluids)

Model T-550 With Thermometer
(Available in 3 1/4", 5" & 7")

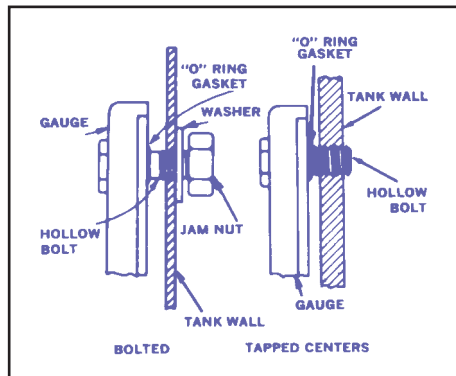
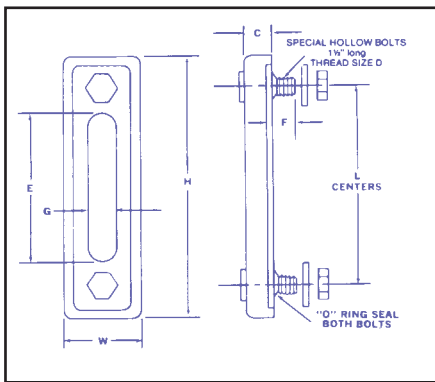
Note Dual Scales
Fahrenheit/Centigrade



T-550-7

550-5

T-550-5



Note* When ordering for tapped tank wall, add "SB" to part number Ex: SB-T-550-5

Dimensional Detail

STANDARD MODELS	THERMOMETER MODELS	DIMENSIONS IN INCHES								
			L	H	W	C	D	E	F	G
550-3	T-550-3	IN	3.3	4.8	2	0.7	1/2-13 UNC-2	2.2	0.8	0.8
		MM	84	122	51	18		56	20	20
550-5	T-550-5	IN	5	6.6	2	0.7	1/2-13 UNC-2	3.9	0.8	0.8
		MM	127	168	51	18		99	20	20
550-7	T-550-7	IN	7	8.6	2.3	0.8	1/2-13 UNC-2	5.9	0.7	1
		MM	178	218	58	20		150	18	25

Ordering Code

* - T - 550 - 5 - *

MOUNTING	THERMOMETER	SERIES	SIZE	OPTIONS
OMIT STD. WALL	OMIT LEVEL	550	3	NO OPTIONS
SB TAPPED WALL	T RED THERM		5	SS STAINLESS BOLTS. NUTS
			7	V VITON SEALS
				PE ETHYLENE-PROPYLENE
				ACR ACRYLIC LENS
				LEX LEXAN LENS
				M12 12MM BOLTS
				0.875 7/8 BOLTS



Fluid Level Sight Windows

LSW

Lenz Fluid Level Sight Windows are designed for quick visual inspection and can be used to show presence of oil in gear cases, bearing housings, or can be used to indicate liquid level in reservoirs. These observation windows allow to check mechanism functions in sealed chambers as well as in hydraulic lines to monitor fluid flow and condition.

Reflectors (optional) show the fluid level and conditions clearly from a distance or when dimly lit. Float Ball (optional) show the movement of oil. Stainless (optional)

Lenz Fluid Level Sight Glass Windows are offered in the following sizes: 3/8" through 2" N.P.T. and 3/4"-16 through 1 7/8"-12 S.A.E. Rated at 250° F



NPT THREADS

Dimensional Detail

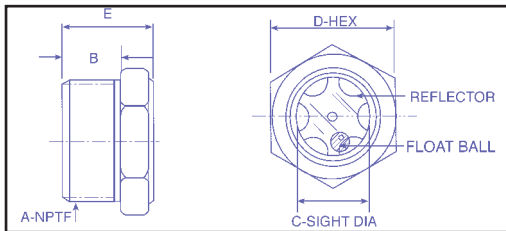
OPEN VIEW	WITH REFLECTOR	REFLECTOR BALL		A	B	C	D	E	MAX PRESS PSI/BAR
LSW-6	LSW-6-R	LSW-6-RB	IN MM	3/8"	0.5 13	0.4 11	0.8 20	0.9 23	500 35
LSW-8	LSW-8-R	LSW-8-RB	IN MM	1/2"	0.7 18	0.6 15	0.9 23	1 25	500 35
LSW-12	LSW-12-R	LSW-12-RB	IN MM	3/4"	0.7 18	0.8 20	1.1 28	1 25	500 35
LSW-16	LSW-16-R	LSW-16-RB	IN MM	1"	0.8 20	1 25	1.4 36	1.2 30	500 35
LSW-20	LSW-20-R	LSW-20-RB	IN MM	1 1/4"	0.9 23	1.1 28	1.4 36	1.4 36	500 35
LSW-24	LSW-24-R	LSW-24-RB	IN MM	1 1/2"	0.9 23	1.4 36	1.5 38	1.5 38	500 35
LSW-32	LSW-32-R	LSW-32-RB	IN MM	2"	0.9 23	1.9 48	1.7 43	1.7 43	500 35

SAE THREADS

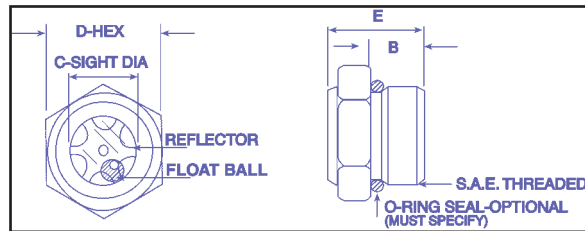
Dimensional Detail

OPEN VIEW	WITH REFLECTOR	REFLECTOR BALL		A	B	C	D	E	MAX PRESS PSI/BAR
LSW-A8	LSW-A8-R	LSW-A8-RB	IN MM	3/4"-16 S A E	0.4 10	0.5 13	0.9 23	0.9 23	500 35
LSW-A12	LSW-A12-R	LSW-A12-RB	IN MM	1 1/16" -12 SAE	0.6 15	1 25	1.3 33	1.1 28	500 35
LSW-A16	LSW-A16-R	LSW-A16-RB	IN MM	1 5/16"-12 SAE	0.6 15	1 25	1.5 38	1.8 46	500 35
LSW-A20	LSW-A20-R	LSW-A20-RB	IN MM	1 5/8"-12 SAE	0.6 15	1.4 36	2 51	1.2 30	500 35
LSW-A24	LSW-A24-R	LSW-A24-RB	IN MM	1 7/8"-12 SAE	0.8 20	1.5 38	2 51	1.2 30	500 35

NPT



SAE

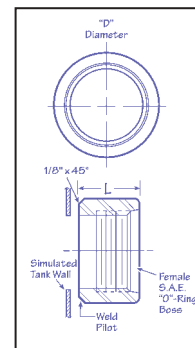


"LW-BA" WELD ADAPTERS

FEMALE S.A.E. "O-RING" WELD Adapter

LENZ "LW-BA" WELD ADAPTERS are designed and machined with a pilot to accurately position the adapter to the hole opening for welding flush to the outside of the tank. The Weld Adapter is a female S.A.E. O-ring connector for Lenz S.A.E. male straight thread fittings or any other Lenz hydraulic component with a male S.A.E. straight thread, making for a leak-free installation.

MODEL NUMBER	STAINLESS STEEL	FEMALE S.A.E.	L +.03	D DIA.
LW-BA-6	LW-BA-6-SS	9/16"-18	.70	.875
LW-BA-8	LW-BA-8-SS	3/4"-16	.85	1.125
LW-BA-10	LW-BA-10-SS	7/8"-14	.95	1.375
LW-BA-12	LW-BA-12-SS	1 1/16"-12	.95	1.375
LW-BA-14	LW-BA-14-SS	1 3/16"-12	1.1	1.625
LW-BA-16	LW-BA-16-SS	1 5/16"-12	1.1	1.625
LW-BA-20	LW-BA-20-SS	1 5/8"-12	1.1	2.125
LW-BA-24	LW-BA-24-SS	1 7/8"-12	1.1	2.50
LW-BA-32	LW-BA-32-SS	2 1/2"-12	1.2	3.00



Oil Level Indicators

LSG, LSGR

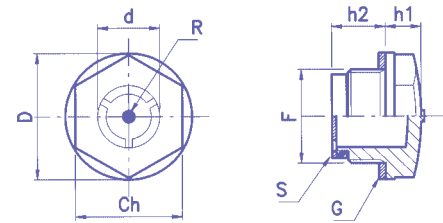
- Hex Head Transparent Oil Level Indicator
- Transparent Polyimide Material
- Maximum Operating Temperature 250°F (100°C)
- Compatible with Petroleum Based Fluids, Gasoline, Fuel, and variety of Solvents
- Not compatible with Alcohol
- NPT and SAE Threads available
- Maximum Pressure 47 PSI (3 Bar)
- Nitrile Seal
- Central Red indicator Point
- Contrast reflector available
- Locknut available for mounting on reservoirs less than .2 inches wall thickness



Dimensional Detail

Model		THREAD F	HEX CH	D	d	h1	h2	TORQUE FTLB-NM	LOCKNUT OD	WEIGHT LB-GM
LSG-4-R	IN	1/4" BSP	0.7	0.8	0.6	0.3	0.3	3	.8	0.007
	MM		17	20	15	7	8	4	19	3
LSG-6-R	IN	3/8" BSP	0.7	0.9	0.6	0.3	0.4	3	0.8	0.009
	MM		18	22	14	6.5	10.5	4	19	4
LSG-8-R	IN	1/2" BSP	0.9	1.1	0.6	0.3	0.4	6	1	0.011
			28	16	8	11	12	8	26	
LSG-12-R	IN	3/4" NPT	0.9	1.1	0.9	0.3	0.6	7.5		0.018
			24	24	7	15		10		
LSG-A12-R	MM	3/4" SAE	0.9	1.4	0.8	0.3	0.6	7.5	1.4	0.018
			24	21	8	7	11	10	36	
LSG-16-R	IN	1" NPT	1.2	1.4	1.2	0.7	0.6	9		0.026
	MM		30	36	29.5	18.5	14.5	12		12
LSG-A16-R	IN	1" SAE	1.2	1.4	0.8	0.3	0.7	9	1.6	0.026
	MM		30	36	21	8	17	12	41	12
LSG-20-R	IN	1 1/4" NPT	1.4	1.7	1.5	0.9	0.4	11		0.044
	MM		36	42	37.5	23	11	15		20
LSG-24-R	IN	1 1/2" BSP	2	2.3	1.6	0.4	0.8	11	2.2	0.044
	MM		50	58	40	10	20	15	56	20
LSG-32-R	IN	2" BSP	2.5	2.9	1.9	0.5	0.8	11	2.6	0
	MM		64	74	48	12	20	15	65	20
LSG-M18	IN	M18X1.5	1	0.6	0.3	0.4	0.4	7.7		0.011
	MM		25	16	7	10.5	10	10		5

ADD L SUFFIX FOR LOCKNUT ON SIZE, 6, 8



LSD

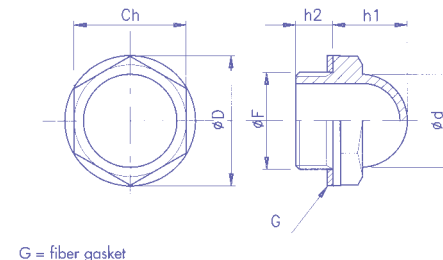
Domed Oil Sights

- Domed Shaped Transparent Oil Level Indicator
- Transparent Polyimide Material
- Maximum Operating Temperature 250°F (100°C)
- Compatible with Petroleum Based Fluids, Gasoline, Fuel, and variety of Solvents
- Not compatible with Alcohol
- NPT and SAE Threads available
- Maximum Pressure 47 PSI (3 Bar)
- Nitrile Seal
- Central Red indicator Point
- Locknut available for mounting on reservoirs less than .2 inches wall thickness



Dimensional Detail

MODEL		F	CH	D	d	H1	H2	TORQUE LB-FT/NM	WEIGHT LB/GM
LSD-6	IN	3/8" BSP	0.7	0.9	0.6	0.6	0.4	6	0.009
	MM		19	22	15	16	10	8	4
LSD-8	IN	1/2" BSP	0.9	1.1	0.8	0.7	0.4	9	0.011
	MM		24	28	20	17	10	12	5
LSD-12	IN	3/4" BSP	1.2	1.4	1	0.8	0.4	12	0.018
	MM		30	35	25	20	10	16	8
LSD-16	IN	1" BSP	1.4	1.7	1.2	0.9	0.4		0.04
	MM		36	42	31	24	10.5		18





Magnetic Tank Cleaners

Multi Magnet Standard or Heavy Duty

Lenz magnetic tank cleaners pick up material that ordinary filters miss and thus maintain cleaner oil. The cleaner the oil; the less problems and expense incurred.

Exceptionally efficient, each unit is composed of a large ceramic magnet and two circular pole pieces.

Multi-magnet tank cleaners come in two models; standard and heavy-duty. Heavy-duty is recommended when support rods are long, power units are large or shipping abuse is anticipated. Although the magnetic unit is the same, heavy-duty is manufactured with a 5/8" solid steel support rod while the standard tank cleaner contains a 1/8" pipe size support rod.

To clean, simply use ordinary air hose using compressed air.

Order pipe plugs separately. Pipe plugs are optional and are furnished in 2 1/2" size. The minimum opening that will accommodate the unit is 2" pipe size or a hole approximately 2 1/4" in diameter. If desired, it can be installed in the cover of any opening larger than this.

Optional: Plug Part No. 40P (For Standard Rod)
HD40P (For Heavy Duty Rod)

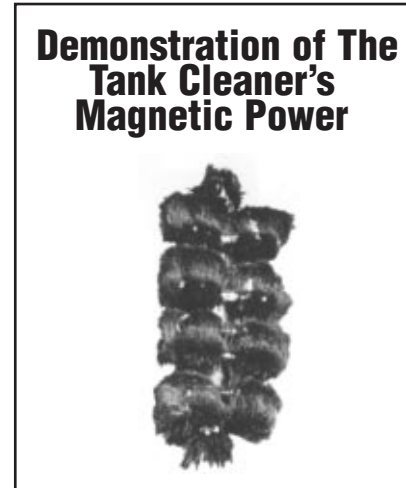
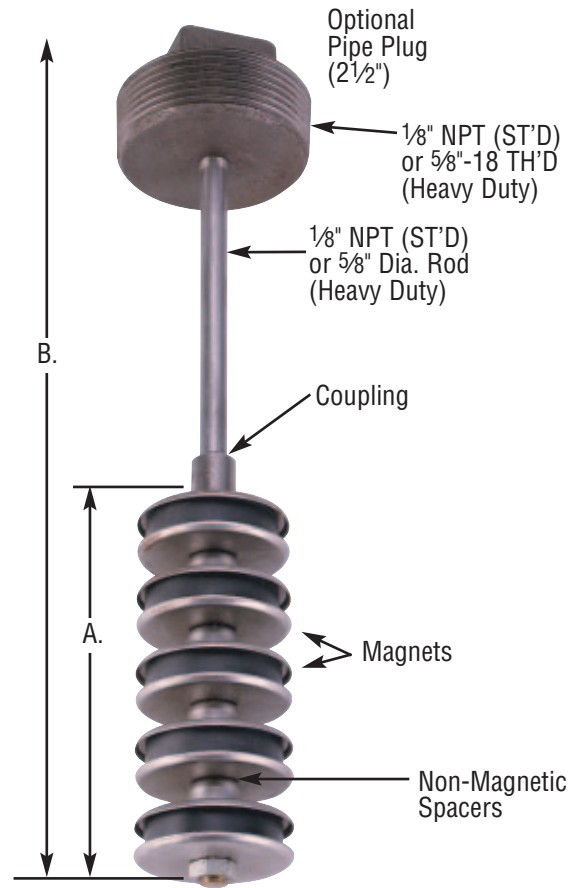
Note**Special Rod Lengths Available

Standard Multi-Magnet 1000 Series

MODEL NO.		A	B	RESEVOIR CAPACITY
1001	IN	1.6	6.6	0-10
	MM	41	168	
1002	IN	2.7	7.7	10-30
	MM	69	196	
1003	IN	3.8	8.8	30-60
	MM	97	224	
1004	IN	4.8	9.8	60-100
	MM	122	249	
1005	IN	5.9	10.9	100-150
	MM	150	277	
1006	IN	7	12	150-210
	MM	178	305	
1007	IN	8	13	210-280
	MM	203	330	
1008	IN	9.1	14.1	280-350
	MM	231	358	

Heavy Duty Multi-Magnet 2000 Series

MODEL NO.		A	B	RESEVOIR CAPACITY
2001	IN	0.8	5.8	0-10
	MM	20	147	
2002	IN	2	7	10-30
	MM	51	178	
2003	IN	3	8	30-60
	MM	76	203	
2004	IN	4.1	9.1	60-100
	MM	104	231	
2005	IN	5.3	10.3	100-150
	MM	135	262	
2006	IN	6.2	11.2	150-210
	MM	157	284	
2007	IN	7.3	12.3	210-280
	MM	185	312	
2008	IN	8.3	13.3	280-350
	MM	211	338	





Slim Line Magnet Tank Cleaners

In-Line Magnets Standard or Heavy-Duty

The primary difference between slim line and regular tank cleaners is in the smaller diameter of the slim line. Capable of being inserted into a hole tapped for a 3/4" plug, the cleaner is especially useful in small reservoirs, gear boxes and other applications where space is at a premium.

Since there is a ratio between length and diameter of a magnet for greatest power, each unit is designed to give maximum magnetic power possible in a small space.

Slim Line Tank Cleaners are available in two models; standard and heavy-duty. Although the magnetic unit is the same, heavy-duty is manufactured with a 5/8" solid steel support rod while the standard contains a 1/8" pipe size support rod.

To clean, simply remove from reservoir and wipe with a clean cloth every 3 to 6 months.

Order pipe plugs separately. Pipe plugs for installing in the top of the reservoir are optional and are furnished in 3/4" and 1 1/4". If space is available, it is recommended that the 1 1/4" plug be used for ease of removal.

3/4" Plug Part No.
12P (For Standard Rod)
HD 12P (For Heavy Duty Rod)

1 1/4" Plug Part No.
20P (For Standard Rod)
HD 20P (For Heavy Duty Rod)

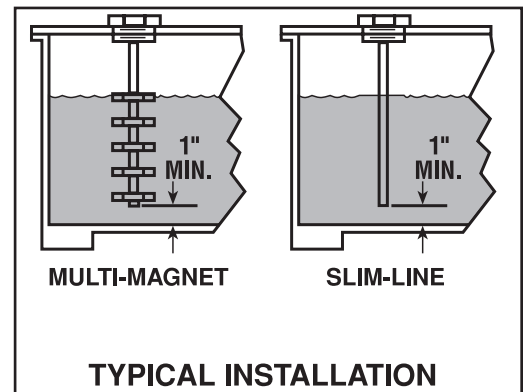
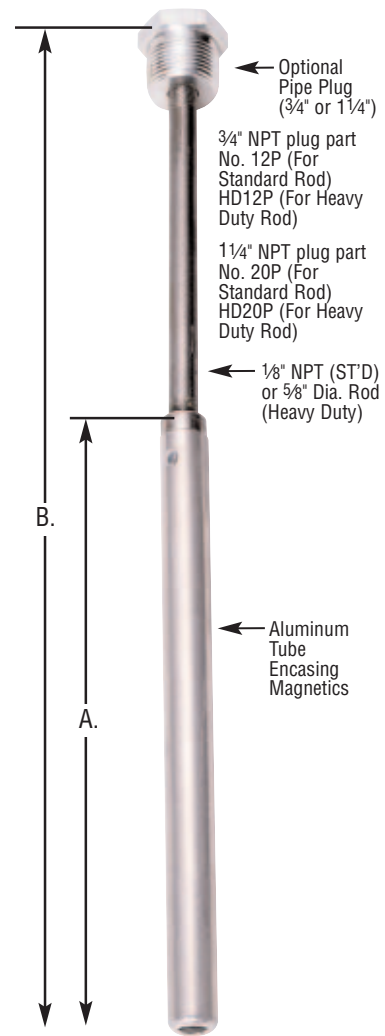
Note**Special Rod Lengths Available

Standard Slim Line 3000 Series

MODEL NO.		A	B
3002	IN	6	11
	MM	152	279
3003	IN	8.5	13.5
	MM	216	343
3004	IN	11	16
	MM	279	406
3005	IN	13.5	18.5
	MM	343	470
3006	IN	16	21
	MM	406	533
3007	IN	18.5	23.5
	MM	470	597
3008	IN	21	26
	MM	533	660
3009	IN	23.5	28.5
	MM	597	724
3010	IN	26	31
	MM	660	787

Heavy Duty Slim Line 4000 Series

MODEL NO.		A	B
4002	IN	5.8	10.8
	MM	147	274
4003	IN	8.3	13.3
	MM	211	338
4004	IN	10.8	15.8
	MM	274	401
4005	IN	13.3	18.3
	MM	338	465
4006	IN	15.8	20.8
	MM	401	528
4007	IN	18.3	23.3
	MM	465	592
4008	IN	20.8	25.8
	MM	528	655
4009	IN	23.3	28.3
	MM	592	719
4010	IN	25.8	30.6
	MM	655	777





High Pressure Ball Valves

LHBV SERIES

- Carbon Steel Body Zinc Plated (1/4"-1 1/4" Port Sizes)
- Forged Body (1 1/2", 2 Port sizes)
- Full Port Sizes
- Hard Chrome Plated Steel Ball
- Delrin +MoS2 Ball Seals
- Viton O Ring
- NPT, SAE
- Operating Pressures to 7250 PSI (500 Bar) see chart
- Operating Temperature -20° F to 212° F (-12° C to 100° C)

Options

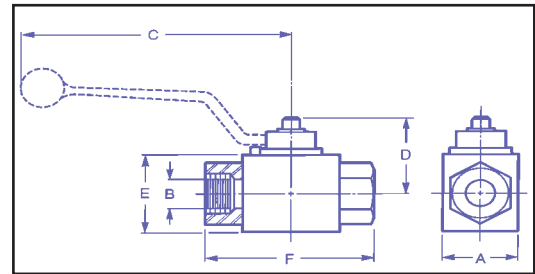
- Lock Kits
- Stainless Steel
- Temperature Range -60° F to 400° F (-50 C to 200 C depending upon seal material)



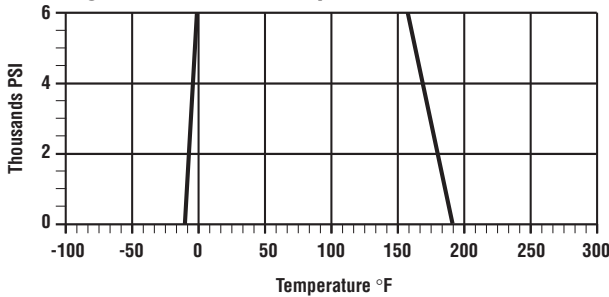
Dimensional Detail

MODEL NUMBER	SAE MODEL	PORT SIZE	WORKING PRESSURE		A	B	C	D	E	F	WEIGHT LBS/KG
LHBV-4	LBVA-4	1/4"	7500	IN	1	0.2	4.6	1.2	1.3	2.7	0.8
				MM	10	5	24	30	80	44	0.4
LHBV-6	LBVA-6	3/8"	7500	IN	1.3	0.4	4.6	1.2	1.5	3.1	1.1
				MM	10	10	24	30	80	44	0.5
LHBV-8	LBVA-8	1/2"	5000	IN	1.4	0.5	4.6	1.2	1.6	4.1	1.4
				MM	15	13	31	30	80	51	0.6
LHBV-12	LBVA-12	3/4"	5000	IN	1.9	0.8	7.2	1.8	2.2	4.3	3.3
				MM	20	20	37	46	113	57	1.5
LHBV-16	LBVA-16	1"	5000	IN	2.3	0.9	7.2	2	2.6	4.6	4.4
				MM	25	23	45	51	113	70	2
LHBV-20	LBVA-20	1 1/4"	5000	IN	3	0.9	8.5	2.5	3.3	4.3	4.6
				MM	32	23	57	64	138	81	2.1
LHBV-24	LBVA-24	1 1/2"	5000	IN	3.6	0.9	8.5	2	3.9	5.1	13
				MM	40	23	70	51	138	94	5.9
LHBV-32	LBVA-32	2"	5000	IN	4.2	0.9	8.5	2.9	4.4	5.5	19
				MM	45	23	84	74	157	112.5	8.6

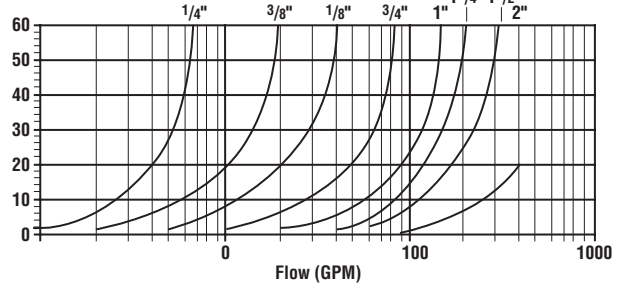
REPLACEMENT HANDLES	Size	REPLACEMENT SEALS	Size	LOCKING KITS	Size
BVH-4	1/4"	BVH-SK-4	1/4"	LK-1	1/4", 3/8", 1/2"
BVH-6	3/8"	BVH-SK-6	3/8"	LK-2	3/4", 1", 1 1/4"
BVH-8	1/2"	BVH-SK-8	3/8"	LK-3	1 3/8", 2"
BVH-12	3/4"	BVH-SK-12	3/4"		
BVH-16	1"	BVH-SK-16	1"		
BVH-20	1 1/4"	BVH-SK-20	1 1/4"		
BVH-24	1 1/2"	BVH-SK-24	1 1/2"		
BVH-32	2"	BVH-SK-32	2"		



Working Pressure and Temperature



Pressure Drop PSI



Low Pressure Ball Valves

Model LPBV

- 1/4" through 4" NPT Full ported
- Forged Brass body nickel plated
- Blow out proof stems
- Pressures to 735 PSI (50 bar)
- Teflon ball and stem seals
- Suitable for oil, water, gas, fuel, gasoline, acid, and compressed air
- Operating temperatures -22° F to +350° F (-30C to +162 C)



Options

- Locking Valve Handle

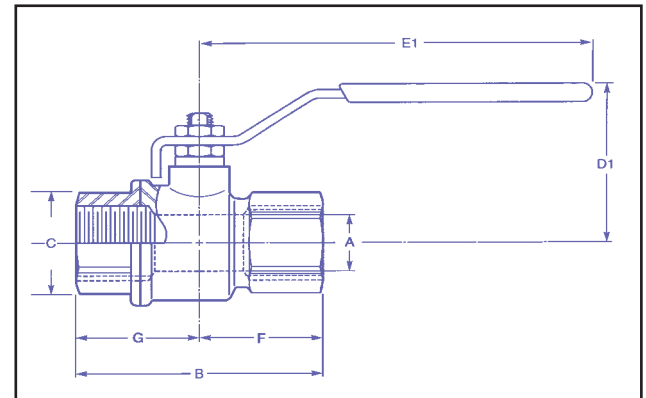
Dimensional Detail

MODEL NUMBER	LOCKING MODEL	NPT THREAD	WORKING PRESSURE										WEIGHT LBS/KG
				A	B	C	D1	E1	F	G			
LPBV-4	LC-LPBV-4	1/4"	735	IN	0.4	1.7	0.9	1.5	3.1	0.9	0.9	0.3	
				MM	10	44.4	23.5	37	80	22.2	22.2	0.1	
LPBV-6	LC-LPBV-6	3/8"	735	IN	0.4	1.7	0.9	1.5	3.1	0.9	0.9	0.3	
				MM	10	44.4	24	37	80	22.2	22.2	0.1	
LPBV-8	LC-LPBV-8	1/2"	735	IN	0.6	2	1.2	1.6	3.1	1	1	0.4	
				MM	15	51	30.5	41	80	25.5	25.5	0.2	
LPBV-12	LC-LPBV-12	3/4"	590	IN	0.8	2.2	1.5	2.2	4.4	1.1	1.2	0.7	
				MM	20	57	37	55	113	28	29.5	0.3	
LPBV-16	LC-LPBV-16	1"	590	IN	1	2.8	1.8	2.3	4.4	1.4	1.4	1.1	
				MM	25	70	45.5	59	113	35	35	0.5	
LPBV-20	LC-LPBV-20	1 1/4"	440	IN	1.3	3.2	2.2	2.9	5.4	1.6	1.6	2	
				MM	32	80.5	57	74.5	137.5	40.5	40	0.9	
LPBV-24	LC-LPBV-24	1 1/2"	440	IN	1.6	3.7	2.8	3.2	5.4	1.9	1.8	3	
				MM	40	94	70	80.5	137.5	47.5	46.5	1.4	
LPBV-32	LC-LPBV-32	2"	370	IN	1.8	4.4	3.3	3.8	6.2	2.2	2.2	4	
				MM	45	112.5	84	96.5	157	57	55.5	1.8	
LPBV-40	LC-LPBV-40	2 1/2"	265	IN	2.1	5	3.8	4.3	7.8	2.5	2.5	8	
				MM	54	128	96	109	197	63.5	64.5	3.6	
LPBV-48	LC-LPBV-48	3"	205	IN	2.6	5.8	4.7	5	9.8	2.9	2.9	13	
				MM	65	148	119	126	250	73.5	74.5	5.9	
LPBV-64	LC-LPBV-64	4"	180	IN	3.1	6.7	5.4	5.3	9.8	3.3	3.3	22	
				MM	80	169	138	135	250	85	84	10	

See line drawing below for dimensional details.

LPBVT

- 1/4" through 1" NPT Full ported
- Forged Brass body nickel plated
- Blow out proof stems
- Pressures to 735 PSI (50 bar)
- Teflon ball and stem seals
- Suitable for oil, water, gas, fuel, gasoline, acid, and compressed air
- Operating temperatures -22° F to +350° F (-30C to +162C)



Dimensional Detail

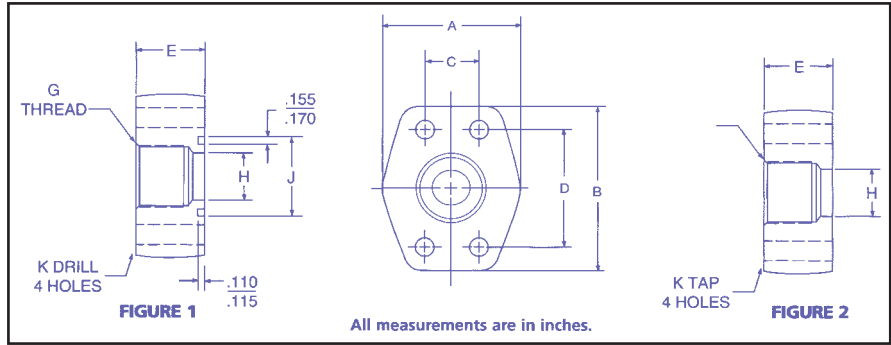
MODEL NUMBER	NPT THREAD	WORKING PRESSURE		A	B	C	D	E	F	G
LPBVT-4	1/4"	735	IN	0.4	1.7	0.9	1.4	1.9	0.9	0.9
			MM	10	44.4	23.5	36.5	47	22.2	22.2
LPBVT-6	3/8"	735	IN	0.4	1.7	0.9	1.4	1.9	0.9	0.9
			MM	10	44.4	24	36.5	47	22.2	22.2
LPBVT-8	1/2"	735	IN	0.6	2	1.2	1.6	1.9	1	1
			MM	15	50.5	30.5	40	47	25	25.5
LPBVT-12	3/4"	590	IN	0.8	2.8	1.5	1.9	2.4	1.1	1.2
			MM	20	70	37	48	62	28	29.5
LPBVT-16	1"	590	IN	1	3.2	1.8	2	2.4	1.4	1.4
			MM	25	80.5	45.5	52	62	35	35



4-Bolt Flanged Head Fittings

For Pipe

Length: Inches - Black;
 Millimeters - Red.
 Pressure: PSI - Black;
 Megapascals - Red.



3000 PSI NPTF Female Thread - Drilled Holes - O Ring Figure 1 & 2

O-Ring Part No. Fig. 1	Flat Face Part No. Fig. 2	Pipe Size	Pad Size	A	B	C	D	E	F	H Dia.	J Dia.	K Dia.	L Dia. Spot Face	NPTF Thread	* O Ring Part Number	* Socket Head Cap Screw Part Number	* Hi Collar Lock Washer Part Number
W43-8-8	W104-8-8	.50 12.7	.50 12.7	1.81 46.0	2.12 53.8	.688 17.48	1.500 38.10	1.25 31.8	.91 23.1	.50 12.7	1.000 25.40	.344 8.74	.500 12.70	.50 12.7	M345-15	M477-10	M478-4
W43-12-12	W104-12-12	.75 19.0	.75 19.0	2.06 52.3	2.56 65.0	.875 22.23	1.875 47.63	1.25 31.8	.84 21.3	.75 19.0	1.250 31.75	.406 10.31	.594 15.09	.75 19.0	M345-19	M477-5	M478-1
W43-16-16	W104-16-16	1.00 25.4	1.00 25.4	2.31 58.7	2.75 69.8	1.031 26.19	2.062 52.37	1.38 35.0	.97 24.6	1.00 25.4	1.560 39.62	.406 10.31	.594 15.09	1.00 25.4	M345-24	M477-6	M478-1
W43-20-20	W104-20-20	1.25 31.8	1.25 31.8	2.88 73.2	3.12 79.2	1.188 30.18	2.312 58.72	1.50 38.1	1.03 26.2	1.25 31.8	1.750 44.45	.469 11.91	.688 17.48	1.25 31.8	M345-27	M477-7	M478-2
W43-24-24	W104-24-24	1.50 38.1	1.50 38.1	3.25 82.6	3.69 93.7	1.406 35.71	2.750 69.85	1.62 41.1	1.09 27.7	1.50 38.1	2.120 53.85	.531 13.49	.781 19.84	1.50 38.1	M346-3	M477-4	M478-3
W43-32-32	W104-32-32	2.00 50.8	2.00 50.8	3.81 96.8	4.00 101.6	1.688 42.88	3.062 77.77	1.62 41.1	1.09 27.7	2.00 50.8	2.495 63.37	.531 13.49	.781 19.84	2.00 50.8	M346-6	M477-4	M478-3
W43-40-40	W104-40-40	2.50 63.5	2.50 63.5	4.28 108.7	4.50 114.3	2.000 50.80	3.500 88.90	2.00 50.8	1.47 37.3	2.50 63.5	3.000 76.20	.531 13.49	.781 19.84	2.50 63.5	M346-10	M477-9	M478-3
W43-48-48	W104-48-48	3.00 76.2	3.00 76.2	5.16 131.1	5.31 134.9	2.438 61.93	4.188 106.38	2.25 57.2	1.59 40.4	3.00 76.2	3.620 91.95	.656 16.66	.969 24.61	3.00 76.2	M346-15	M477-11	M478-5

*These parts are not supplied under fitting Catalog Number. Must be ordered separately.

S.A.E. FOUR BOLT FLANGE KITS

Code 61
 Size Lenz P/N
 3/4" W43-12-12K
 1" W43-16-16K
 1 1/4" W43-20-20K
 1 1/2" W43-24-24K
 2" W43-32-32K
 2 1/2" W43-40-40K

Code 61
 Size Lenz P/N
 3/4" W4-12-12K
 1" W4-16-16K
 1 1/4" W4-20-20K
 1 1/2" W4-24-24K
 2" W4-32-32K
 2 1/2" W4-40-40K
 3" W4-48-48K

SPLIT FLANGE KITS

Code 61
 Size Lenz P/N
 3/4" 12SFK
 1" 16SFK
 1 1/4" 20SFK
 1 1/2" 24SFK
 2" 32SFK

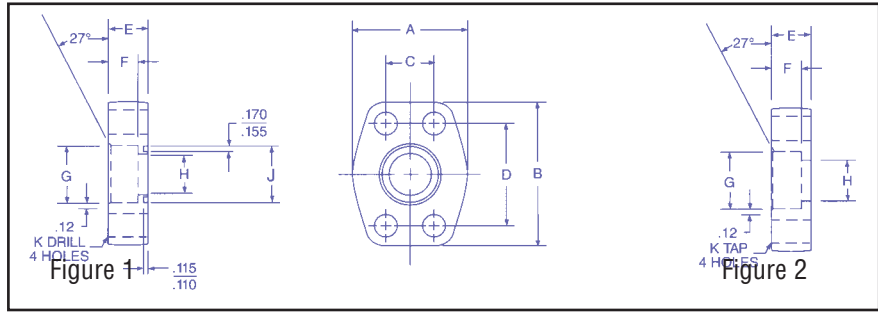
Code 62
 Size Lenz P/N
 3/4" 12SFXX
 1" 16SFXX
 1 1/4" 20SFXX
 1 1/2" 24SFXX
 2" 32SFXX



4-bolt Flanged Head Fittings

For Pipe

Length: Inches - Black;
 Millimeters - Red.
 Pressure: PSI - Black;
 Megapascals - Red.



3000 PSI Flat Socket - Pipe (Code 61)

Figure 1 & 2

O-Ring Part Number Fig. 1	Flat Face Part Number Fig. 2	Pipe Size	Pad Size	A	B	C ±.010	D ±.010	E	F	G Dia. +.015 -.005	H Dia.	J Dia.	K Dia.	* O Ring Part Number	* Socket Head Cap Screw Part Number	* Hex Head Cap Screw Part Number	* Hi Collar Lock Washer Part Number
W4-8-8	W61-8-8	.50 12.7	.50 12.7	1.813 46.0	2.125 53.9	.688 12.0	1.500 38.1	.75 19.0	.56 14.2	.855 21.7	.50 12.7	1.000 25.4	.344 8.73	M345-15	M477-10	M522-11	M478-4
W4-12-12	W61-12-12	.75 19.0	.75 19.0	2.06 52.3	2.56 65.0	.875 22.23	1.875 47.63	.75 19.0	.19 4.8	1.062 26.97	.75 19.0	1.250 31.75	.406 10.31	M345-19	M477-5	M522-11	M478-1
W4-16-16	W61-16-16	1.00 25.4	1.00 25.4	2.31 58.7	2.75 69.8	1.031 26.19	2.062 52.37	.88 22.4	.25 6.4	1.328 33.73	1.00 25.4	1.560 39.62	.406 10.31	M345-24	M477-6	M522-12	M478-1
W4-20-20	W61-20-20	1.25 31.8	1.25 31.8	2.88 73.2	3.12 79.2	1.188 30.18	2.312 58.72	.94 23.9	.25 6.4	1.672 42.47	1.25 31.8	1.750 53.85	.469 13.49	M345-27	M477-7	M522-13	M478-2
W4-24-24	W61-24-24	1.50 38.1	1.50 38.1	3.25 82.6	3.69 93.7	1.406 35.71	2.750 69.85	1.19 30.2	.44 11.2	1.922 48.82	1.50 38.1	2.120 53.85	.531 13.49	M346-3	M477-8	M522-14	M478-3
W4-32-32	W61-32-32	2.00 50.8	2.00 50.8	3.81 96.8	4.00 101.6	1.688 42.88	3.062 77.77	1.38 35.0	.50 12.7	2.406 61.11	2.00 50.8	2.495 63.37	.531 13.49	M346-6	M477-9	M522-15	M478-3
W4-40-40	W61-40-40	2.50 63.5	2.50 63.5	4.28 108.7	4.50 114.3	2.000 50.80	3.500 88.90	1.75 44.4	.75 19.0	2.906 73.81	2.50 63.5	3.000 76.20	.531 13.49	M346-10	M477-14	M522-16	M478-3
W4-48-48	W61-48-48	3.00 76.2	3.00 76.2	5.16 131.1	5.31 134.9	2.438 61.93	4.188 106.38	2.12 53.8	.88 22.4	3.547 90.09	3.00 76.2	3.620 91.95	.656 16.66	M346-15	M477-16	M522-18	M478-5

6000 PSI Flat Socket - Pipe (Code 62)

Figure 1 & 2

O-Ring Part Number Fig. 1	Flat Face Part Number Fig. 2	Pipe Size	Pad Size	A	B	C	D	E	F	G	H	K Thread UNC-2B	* O Ring Part Number	* Socket Head Cap Screw Part Number	* Hex Head Cap Screw Part Number	* Hi Collar Lock Washer Part Number
W59-8-8	W60-8-8	0.50 12.7	0.50 12.7	1.94 49.2	2.30 58.4	0.718 18.2	1.594 40.4	0.870 22.1	0.560 14.2	0.855 21.72	0.500 12.7	5/16-18	M345-15	M477-10	M522-11	M478-4
W59-12-12	W60-12-12	0.75 19.0	0.75 19.0	2.38 60.4	2.81 71.3	0.937 23.8	2.00 50.13	1.250 31.7	0.560 14.22	1.063 27.0	0.750 19.0	3/8-16	M345-19	M477-23	M522-11	M478-1
W59-16-16	W60-16-16	1.00 25.4	1.00 25.4	2.75 69.8	3.19 81.0	1.094 27.79	2.250 57.15	1.00 25.4	.38 9.6	1.33 33.8	1.00 25.4	7/16-14	M345-24	M477-29	M522-13	M478-2
W59-20-20	W60-20-20	1.25 31.8	1.25 31.8	3.06 77.7	3.75 95.2	1.250 31.75	2.625 66.68	1.25 31.8	.56 14.2	1.67 42.4	1.25 31.8	1/2-13	M345-27	M477-7	M522-14	M478-3
W59-24-24	W60-24-24	1.50 38.1	1.50 38.1	3.75 95.2	4.44 112.8	1.438 36.53	3.125 79.38	1.50 38.1	.75 19.0	1.92 48.8	1.50 38.1	5/8-11	M346-3	M477-11	M522-19	M478-5
W59-32-32	W60-32-32	2.00 50.8	2.00 50.8	4.50 114.3	5.25 133.4	1.750 44.45	3.812 96.82	1.75 44.4	.88 22.4	2.41 61.2	2.00 50.8	3/4-10	M346-6	M477-17	M522-20	M478-7

500 PSI Flat Socket - Pipe

Figure 1 & 2

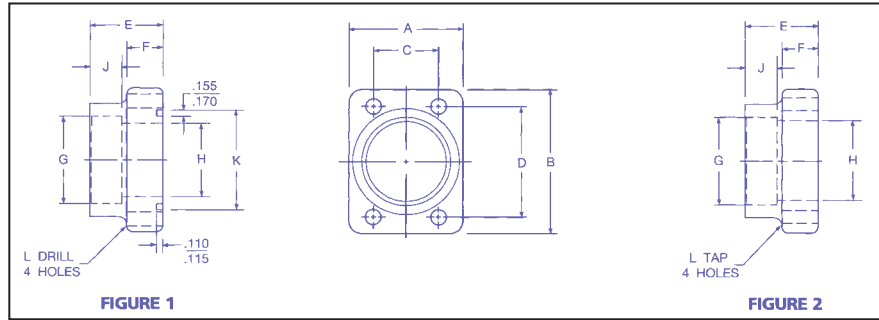
O-Ring Part Number Fig. 1	Flat Face Part Number Fig. 2	Pipe Size	Pad Size	A	B	C ±.010	D ±.010	E	F	G Dia. +.015 -.005	H Dia.	J Dia.	K Dia.	* O Ring Part Number	* Socket Head Cap Screw Part Number	* Hex Head Cap Screw Part Number	* Hi Collar Lock Washer Part Number
W72-48-48	W91-48-48	3.00 76.2	3.00 76.2	5.12 130.5	5.31 134.9	2.438 61.93	4.188 106.38	1.38 35.0	.25 6.4	3.547 90.09	3.00 76.2	3.620 91.95	.656 16.68	M346-15	M477-20	M522-24	M475-5
W72-56-56	W91-56-56	3.50 88.9	3.50 88.9	5.50 139.7	6.00 152.4	2.750 69.85	4.750 120.65	1.44 36.6	.25 6.4	4.047 102.79	3.50 88.9	4.105 104.26	.656 16.66	M346-19	M477-20	M522-24	M478-5
W72-64-64	W91-64-64	4.00 101.6	4.00 101.6	6.00 152.4	6.38 162.1	3.062 77.77	5.125 130.18	1.50 38.1	.25 6.4	4.578 116.28	4.00 101.6	4.605 116.97	.656 16.66	M346-23	M477-11	M522-19	M478-5



4-Bolt Flanged Head Fittings

For Pipe

Length: Inches - Black;
 Millimeters - Red.
 Pressure: PSI - Black;
 Megapascals - Red.



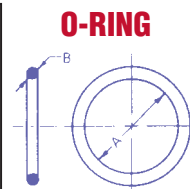
3000 PSI Deep Socket - Tapped Holes

Figure 1 & 2

O-Ring Part No. Fig. 1	Flat Face Part No. Fig. 2	Pipe Size	Pad Size	A	B	C	D	E	F	G Dia.	H Dia.	J	K Thread UNC-2B	* O Ring Part Number	* Socket Head Cap Screw Part Number	* Hex Head Cap Screw Part Number	* Hi Collar Lock Washer Part Number
W31-12-12	W3-12-12	.75 19.0	.75 19.0	1.69 42.9	2.56 65.0	.875 22.23	1.875 47.63	1.06 26.9	.50 12.7	1.062 26.97	.75 19.0	.50 12.7	3/8-16	M345-19	M477-5	M522-11	M478-1
W31-16-16	W3-16-16	1.00 25.4	1.00 25.4	1.94 49.3	2.75 69.8	1.031 26.19	2.062 52.37	1.25 31.8	.56 14.2	1.328 33.73	1.00 25.4	.62 15.7	3/8-16	M345-24	M477-6	M522-12	M478-1
W31-20-20	W3-20-20	1.25 31.8	1.25 31.8	2.19 55.6	3.12 79.2	1.188 30.18	2.312 58.72	1.44 36.6	.62 15.7	1.672 42.47	1.25 31.8	.75 19.0	7/16-14	M345-27	M477-7	M522-13	M478-2
W31-24-24	W3-24-24	1.50 38.1	1.50 38.1	2.56 65.0	3.69 93.7	1.406 35.71	2.750 69.85	1.75 44.4	.81 20.6	1.922 48.82	1.50 38.1	1.00 25.4	1/2-13	M346-3	M477-8	M522-14	M478-3
W31-32-32	W3-32-32	2.00 50.8	2.00 50.8	3.06 77.7	4.00 101.6	1.688 42.88	3.062 77.77	2.00 50.8	1.06 26.9	2.406 61.11	2.00 50.8	1.12 28.4	1/2-13	M346-6	M477-9	M522-15	M478-3
W31-40-40	W3-40-40	2.50 63.5	2.50 63.5	3.56 90.4	4.50 114.3	2.000 50.80	3.500 88.90	2.31 58.7	1.12 28.4	2.906 73.81	2.50 63.5	1.31 33.3	1/2-13	M346-10	M477-14	M522-16	M478-3

For Fittings (SAE J515)

Part Number	Tube O.D. Ref.	I.D. A	Cross Section B
M383-4	.25	.351	.072
M383-5	.31	.414	.072
M383-6	.38	.468	.078
M383-8	.50	.644	.087
M383-10	.62	.755	.097
M383-12	.75	.924	.116
M383-14	.88	1.048	.116
M383-16	1.00	1.171	.116
M383-20	1.25	1.475	.118
M383-24	1.50	1.720	.118



O rings
 Length - Inches - Black
 Millimeters - Red
 Pressure - PSI Black
 Megapascals - Red

For Split Flange Clamp Heads (SAE J518)

Part Number	Flange Size	A	B
M345-15	.50	.75	.12
M345-19	.75	1.00	.12
M345-24	1.00	1.31	.12
M345-27	1.25	1.50	.12
M346-3	1.50	1.88	.12
M346-6	2.00	2.25	.12
M346-10	2.50	2.75	.12
M346-15	3.00	3.38	.12
M346-19	3.50	3.88	.12
M346-23	4.00	4.38	.12

Also Available

4-bolt flanged-head fittings

For Pipe

3000 PSI Saddle - Drilled Holes
 3000 PSI 90 Elbow - Tapped Holes
 3000 PSI 90 Elbow - Drilled Holes
 3000 PSI Boss - Drilled Holes
 3000 PSI 90 Elbow NPTF Female
 Thread - Drilled Hole

For Tube

3000 PSI Flat Socket - Drilled Holes
 3000 PSI Deep Socket - Tapped Holes
 3000 PSI Saddle - Tapped Holes
 3000 PSI Saddle - Drilled Holes
 3000 PSI 90 Elbow - Tapped Holes
 3000 PSI 90 Elbow - Drilled Holes

4-bolt flanged-head fittings and components.

For Pipe and Tube

3000 PSI Tank Pilot - Tapped Holes
 Weld Pipe Plug
 Flange Plug
 Hex Head Cap Screws
 Socket Head Cap Screws
 4-bolt flanged-head components

For Pipe and Tube

Spring Lock Washers
 High Collar Spring Lock Washers
 O Rings
 Connector Plates



Split Flange Halves

For SAE Flanged Head Connection

Length: Inches - Black;

Millimeters - Red.

Pressure: PSI - Black;

Megapascals - Red.

Bolt Torque Range:

Pounds/Inches - Black;

Newton-meters - Red.

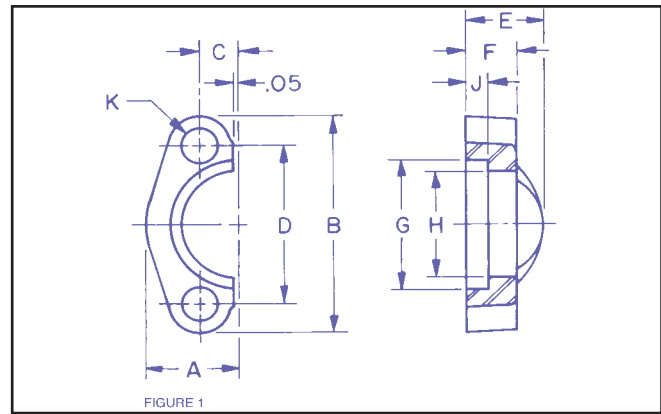


FIGURE 1

SAE Standard 3000 PSI (SAE J518 Code 61)

Figure 1

Flange Part Number Fig. 1	Flange Size	A	B	C	D	E	F	G	H	J	K	* Bolt Part Number	* Lock Washer Part Number	Heck Bolt Torque Range (LB-IN)	Max Rec. Working Press (PSI)
8SF-2	.50 12.7	.86 21.8	2.12 53.8	.344 8.74	1.500 38.10	.75 19.0	.50 12.7	1.219 30.96	.955 24.26	.245 6.22	.344 8.74	M522-1	5LW	175-225	5000
12SF-2	.75 19.0	.98 24.9	2.56 65.0	.438 11.13	1.875 47.63	.88 22.4	.56 14.2	1.531 38.89	1.265 32.13	.245 6.22	.406 10.31	M522-2	6LW	250-350	5000
16SF-2	1.00 25.4	1.11 28.2	2.75 69.8	.515 13.08	2.062 52.37	.94 23.9	.62 15.7	1.781 45.24	1.515 38.48	.295 7.49	.406 10.31	M522-2	6LW	325-425	5000
20SF-2	1.25 31.8	1.39 35.3	3.12 79.2	.594 15.09	2.312 58.72	.88 22.4	.56 14.2	2.031 51.59	1.720 43.69	.295 7.49	.469 11.91	M522-3	7LW	425-550	4000
24SF-2	1.50 38.1	1.58 40.1	3.69 93.7	.703 17.86	2.750 69.85	1.00 25.4	.62 15.7	2.406 61.11	2.000 50.80	.297 7.54	.531 13.49	M522-4	8LW	550-700	3000
32SF-2	2.00 50.8	1.86 47.2	4.00 101.6	.844 21.44	3.062 77.77	1.03 26.2	.62 15.7	2.844 72.24	2.470 62.74	.355 9.02	.531 13.49	M522-4	8LW	650-800	3000
40SF-2	2.50 63.5	2.09 53.1	4.50 114.3	1.000 25.40	3.500 88.90	1.50 38.1	.75 19.1	3.344 84.94	2.950 74.93	.355 9.02	.531 13.49	M522-5	8LW	950-1100	2500
48SF-2	3.00 76.2	2.53 64.3	5.31 134.9	1.219 30.96	4.188 106.38	1.62 41.1	.88 22.3	4.031 102.39	3.580 90.93	.355 9.02	.656 16.66	M522-7	10LW	1650-1800	2000
56SF-2	3.50 88.9	2.70 68.6	6.00 152.4	1.375 34.93	4.750 120.65	1.12 28.4	.88 22.3	4.531 115.09	4.030 102.36	.422 10.72	.656 16.66	M522-8	10LW	1400-1600	500

SEE PAGE 28 FOR KITS

6000 PSI (SAE J518 Code 62) Figure 1

Flange Part Number Fig. 1	Flange Size	A	B	C	D	E	F	G	H	J	K	* Bolt Part Number	* Lock Washer Part Number	Heck Bolt Torque Range (LB-IN)	Max Rec. Working Press (PSI)
12SFX-2	.75 19.0	1.14 29.0	2.81 71.4	.469 11.91	2.000 50.80	1.12 28.4	.75 19.0	1.656 42.06	1.280 32.51	.325 8.26	.406 10.31	M522-1	6LW	300-400	6000
16SFX-2	1.00 25.4	1.33 33.8	3.19 81.0	.547 13.89	2.250 57.15	1.31 33.3	.94 23.9	1.906 48.41	1.530 38.86	.355 9.02	.469 11.91	M522-13	7LW	500-600	6000
20SFX-2	1.25 31.8	1.48 37.6	3.75 95.2	.625 15.88	2.625 66.68	1.50 38.1	1.06 26.9	2.156 54.76	1.750 44.45	.385 9.78	.531 13.49	M522-5	8LW	750-900	6000
24SFX-2	1.50 38.1	1.83 46.5	4.44 112.8	.719 18.26	3.125 79.38	1.69 42.9	1.19 30.2	2.531 64.29	2.030 51.56	.475 12.07	.656 16.66	M522-9	10LW	1400-1600	6000
32SFX-2	2.00 50.8	2.20 55.9	5.25 133.4	.875 22.23	3.812 96.86	2.06 52.3	1.44 36.6	3.156 80.16	2.660 67.56	.475 12.07	.781 19.84	M522-26	12LW	2400-2600	6000

*These parts are not supplied under fitting Catalog Number. Must be ordered separately.

To order two split flange halves plus hardware, drop the -2 after the SF or SFX.

SEE PAGE 28 FOR KITS



P R E S S U R E G A U G E S



GLYCERINE FILLED GAUGES
DRY GAUGES
PROCESS GAUGES
PRESSURE TRANSMITTERS
WATER GAUGES

GAUGE ISOLATORS
SIPHONS
CHEMICAL SEALS
BI METAL THERMOMETERS
AMMONIA GAUGES



PHONE: 937/277-9364 FAX: 937/277-6516 www.lenzinc.com



PRESSURE GAUGES

SECTION C

SERIES

Page

PG	Product Overview Photo		
	Product Overview Index		
	Features of Lenz Gauges	1c	
BAC-25	Glycerine 2.5" Dial Brass Case	2c	
AFC-25	Glycerine 2.5" Dial Stainless Case	3c	
LNZ-25	Glycerine 2.5" Dial ABS Case	4c	
SS-25	Glycerine 2.5" Dial Stainless Case & Internals	5c	
AFC-20	Glycerine 2" Dial Stainless Case	6c	New Models
LZ15, LZ20	Dry 1.5" & 2" Dial ABS Case	7c	New Models
LZ-25	Dry 2.5" Dial Steel Case	8c	
BAC-4	Glycerine 4.0" Dial Brass Case	9c	
AFC-4	Glycerine 4.0" Dial Stainless Case	10c	
SS-4	Glycerine 4.0" Dial Stainless Case & Internals	11c	
PRO 45	Process 4.5" Dial, ABS Case	12c	New Model
LOW-25	Dry 2.5" Dial, Steel Capsule & Case	13c	New Models
AMM-25	Dry 2.5" Refrigeration Stainless Case	14c	New Models
BMT	Bi-Metal, 3" & 5" Dial Stainless Case	15c	
LZT	Transducer	16c/17c	New Models
GV, HDS, MS	Gauge Isolators, Siphons, Chemical Seals	18c	
	Gauge Options	19c	
	Notes	20c	



Built For SUPERIOR Performance



BAC



AFC



SS

Lenz offers you a pressure gauge that gives extra long life and superior performance under the most difficult job conditions.

The Lenz Series Glycerin-Filled Gauges offer you the finest choice in gauges where severe pulsation, vibration and corrosive atmosphere are factors. The glycerin serves to permanently lubricate and prevent corroding of the movement, effectively dampens pulsation and vibration to the degree that there is no pointer flutter or oscillation. Completely sealed . . . steam, gas or any fluids are kept out, there is never any condensation and clear visibility of the dial is always assured.

These gauges will last years and years longer than ordinary gauges and provide accurate and positive reading at all times.

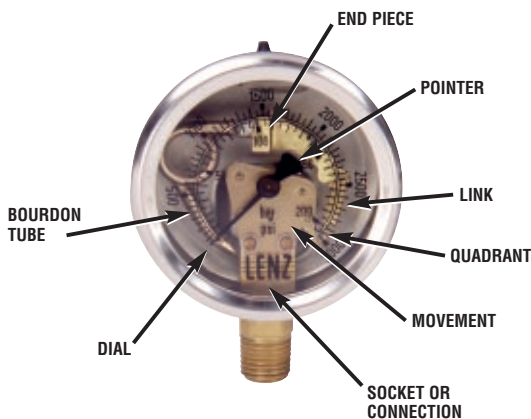
The built-in dampening mechanism requires no adjustment after installation . . . there is nothing better.

While principally offered to the hydraulics field, these gauges have many other applications in refineries, petrochemicals, and in many manufacturing industries.

Rugged, accurate and dependable, these Lenz pressure gauges promise the reliable, long-term service and performance required by today's diversified needs.

Outstanding Features of LENZ Pressure Gauges

- Glycerin or Silicone should not be used in applications involving oxidizing media such as oxygen, chlorine, nitric acid, hydrogen peroxide and others, because of the danger of a spontaneous chemical reaction.



DIAL FACE

White coated aluminum face with black coated aluminum pointer.

UNBREAKABLE LENS

Completely sealed unbreakable plexiglass lens gives long life under the most rugged conditions.

BOURDON TUBE

Copper alloy up to 800 PSI safety coiled copper alloy for 800 PSI and higher.

BOURDON TUBE 4" GAUGE

Copper alloy up to 1500 PSI safety coiled alloy steel, 1500 PSI and higher.

SERVICE

In case blow-out plug operation is necessary, the gauge can be serviced in the field for refilling glycerin.

SUPERIOR BRASS MOVEMENT

Precision machined and highly finished bearing surfaces are practically frictionless providing dependable accuracy. The movement of all internal parts is permanently sealed and dampened by the glycerin fluid. The effects of pulsation and vibration are virtually eliminated. No pointer flutter.

SAFETY BLOW-OUT PLUG

A rubber disc relief valve, located on top of the gauge, vents case pressure build-up at 5 PSI. Acts as a filler cap.

RESTRICTOR

Assists in dampening, acts much like a pressure snubber.

INDIVIDUALLY PACKED

Boxed in rugged corrugated mailer type boxes for protection during shipping or on the shelf.

HOW TO SELECT THE PROPER GAUGE-

The proper gauge for your application should read at least 60% above the maximum pressure of the system so that the maximum reading would be approximately in the middle of the dial. To order a gauge: (1) Select the type of gauge; (2) Choose the dial size; (3) Determine the pressure range from appropriate table; (4) Give correct model number from same tables; (5) Add suffix "FF" for Brass Front Flange, "FFC" for Chrome Front Flange and "UC" for U-Clamp to Model Number.



FRONT FLANGES

Flanges ordered with gauge are installed at factory. May be purchased separately and added at a later date.

Dimensions: For 2 1/2" Gauge Flange - (3) 9/64" Holes On 2 15/16" Bolt Circle, 35/16" O.D.
 Dimensions: For 4" Gauge Flange - (3) 3/16" Holes On 4 9/16" Bolt Circle, 5 3/16" O.D.



BAC-25 Brass Case

Dial Size: 2 1/2" Glycerin Filled
Pressure Ranges: 30" HG to 15,000 PSI/Bar (Dual Scale)
Accuracy: Within 1.5% of Maximum Graduation
Case: Forged Brass With Polished Brass ABS
Bourdon Tube: Copper Alloy-Up to 800 PSI
 Safety Coiled Copper Alloy for 800 P.S.I. and Higher
Movement: Brass With Highly Finished Bearing Surfaces
Connection: 1/4" Male NPT Brass Bottom or Rear Center Connection
(Optional Threads See Page 19c)
Safety Blow-Out Plug Included.
Restrictors Standard to Restrict Pulsations.

BAC-25 MOUNTING OPTIONS, ADD SUFFIX:

"FF" for Brass Front Flange - Example: BAC-5M-25RC-FF
"FFC" for Chrome Front Flange - Example: BAC-160-25RC-FFC
"UC" for U-Clamp - Example: BAC-3M-25RC-UC



"BAC-25"

BAC-25 Series Brass Case, glycerin filled are designed for rugged application due to the bourdon tube being brazed to the one-piece brass case/ socket. LENZ Brass pressure gauges are known for their reliability in the field where vibrations and pulsation can occur.

ST'D. BOTTOM MOUNT MODEL NUMBER	REAR CENTER MOUNT MODEL NUMBER	FULL RANGE		FIGURE INTERVAL		GRADUATION INTERVAL	
		ENGLISH PSI	METRIC BAR	PSI	BAR	PSI	BAR
BAC-15-25	BAC-15-25RC	0-15	0-1	3	.2	.25	.02
BAC-30-25	BAC-30-25RC	0-30	0-2	5	.5	.5	.05
BAC-60-25	BAC-60-25RC	0-60	0-4	10	1	1	.1
BAC-100-25	BAC-100-25RC	0-100	0-7	20	1	2	.2
BAC-160-25	BAC-160-25RC	0-160	0-10	20	2	2	.2
BAC-200-25	BAC-200-25RC	0-200	0-14	20	2	4	.2
BAC-300-25	BAC-300-25RC	0-300	0-20	50	5	5	.5
BAC-400-25	BAC-400-25RC	0-400	0-28	50	5	5	.5
BAC-500-25	BAC-500-25RC	0-500	0-35	100	10	5	.5
*BAC-600-25	BAC-600-25RC	0-600	0-42	100	10	10	1
BAC-800-25	BAC-800-25RC	0-800	0-56	100	10	10	1
*BAC-1M-25	BAC-1M-25RC	0-1000	0-70	200	10	10	2
BAC-1500-25	BAC-1500-25RC	0-1500	0-100	300	20	25	2
*BAC-2M-25	BAC-2M-25RC	0-2000	0-140	400	20	25	2
*BAC-3M-25	BAC-3M-25RC	0-3000	0-210	500	50	50	5
*BAC-5M-25	BAC-5M-25RC	0-5000	0-350	1000	50	100	5
BAC-6M-25	BAC-6M-25RC	0-6000	0-420	1000	100	100	10
BAC-7500-25	BAC-7500-25RC	0-7500	0-510	1000	100	100	10
BAC-10M-25	—	0-10000	0-700	2000	200	200	10
BAC-15M-25	BAC-15M-25RC	0-15000	0-1000	3000	200	500	50

* SAE 7/16"-20 connection in stock

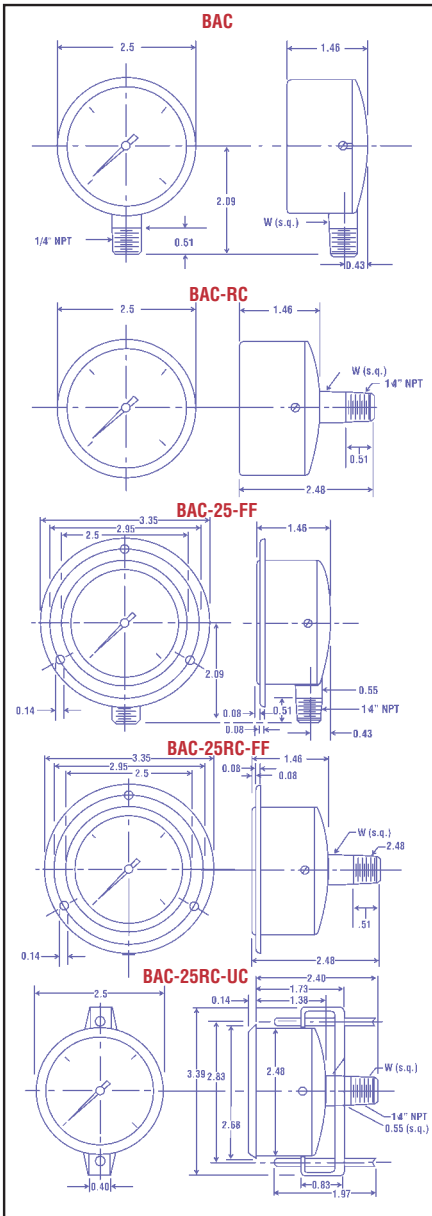
2 1/2" Glycerin-Filled Dual Scale Vacuum Gauges

ST'D. BOTTOM MOUNT MODEL NUMBER	REAR CENTER MOUNT MODEL NUMBER	FULL RANGE		FIGURE INTERVAL		GRADUATION INTERVAL	
		ENGLISH HG	METRIC BAR	HG	BAR	HG	BAR
BAC-30HG-25	BAC-30HG-25RC	0-30"	0-1	5	.2	1	.02

Compound Gauges-Vacuum to Pressure

Use where pressures may vary from above atmospheric to below atmospheric.

ST'D. BOTTOM MOUNT MODEL NUMBER	REAR CENTER MOUNT MODEL NUMBER	FULL RANGE		FIGURE INTERVAL	
		ENGLISH HG & PSI	METRIC BAR	HG & PSI	BAR
BAC-30-15-25	BAC-30-15-25RC	30"-0-15	-1-0-1	10" & 5	.2 & .2
BAC-30-30-25	BAC-30-30-25RC	30"-0-30	-1-0-2	10" & 10	1 & 1
BAC-30-60-25	BAC-30-60-25RC	30"-0-60	-1-0-4	10" & 10	1 & 1
BAC-30-100-25	BAC-30-100-25RC	30"-0-100	-1-0-7	30" & 20	1 & 1
BAC-30-160-25	BAC-30-160-25RC	30"-0-160	-1-0-10	30" & 20	1 & 2
BAC-30-200-25	BAC-30-200-25RC	30"-0-200	-1-0-14	30" & 40	1 & 2



AFC-25 Stainless Steel Case

Dial Size: 2 1/2" Glycerin Filled
Pressure Ranges: 30" HG to 15,000 PSI/Bar (Dual Scale)
Accuracy: Within 2.0% of Maximum Graduation
Case: 304SS Stainless Steel
Bourdon Tube: Phosphor Bronze
Movement: Brass with Highly Finished Bearing Surfaces
Connection: 1/4" Male NPT Brass Bottom or Rear Center Connection
(Optional Threads See Page 19c)

Safety Blow-Out Plug Included/Restrictors Standard

AFC-25RC (REAR CENTER) MOUNTING OPTIONS, ADD SUFFIX:

“FF” for Polished Stainless Steel Front Flange - Example: AFC-5M-25RC-FF

“U-Clamp” Models, Model Number Changes to “AUB” - See Chart Below



“AFC-25”

Lenz's AFC-25 Series Pressure Gauges feature a stainless steel case, brass stem, glycerin filled which are ideal for severe pulsation, vibration and where corrosive atmospheres are a factor. These Lenz pressure gauges are perfect for the original equipment manufacturers (O.E.M.) and other hydraulic and pneumatic equipment due to being cost effective.

ST'D. BOTTOM MOUNT MODEL NUMBER	REAR CENTER MOUNT MODEL NUMBER	PANEL MOUNT U-CLAMP MODEL NUMBER	FULL RANGE		FIGURE INTERVAL		GRADUATION INTERVAL	
			ENGLISH PSI	METRIC BAR	PSI	BAR	PSI	BAR
AFC-15-25	AFC-15-25RC	AUB-15-25RC	0-15	0-1	3	.2	.25	.02
AFC-30-25	AFC-30-25RC	AUB-30-25RC	0-30	0-2	5	.5	.5	.5
AFC-60-25	AFC-60-25RC	AUB-60-25RC	0-60	0-4	10	1	1	.1
AFC-100-25	AFC-100-25RC	AUB-100-25RC	0-100	0-7	20	2	2	.1
AFC-160-25	AFC-160-25RC	AUB-160-25RC	0-160	0-10	20	2	2	.2
AFC-200-25	AFC-200-25RC	AUB-200-25RC	0-200	0-14	40	4	4	.4
AFC-300-25	AFC-300-25RC	AUB-300-25RC	0-300	0-20	50	5	5	.5
AFC-400-25	AFC-400-25RC	AUB-400-25RC	0-400	0-28	50	5	5	.5
AFC-500-25	AFC-500-25RC	AUB-500-25RC	0-500	0-35	100	5	10	.5
AFC-600-25	AFC-600-25RC	AUB-600-25RC	0-600	0-40	100	10	10	1
AFC-800-25	AFC-800-25RC	AUB-800-25RC	0-800	0-56	100	10	10	1
AFC-1M-25	AFC-1M-25RC	AUB-1M-25RC	0-1000	0-70	200	20	20	1
AFC-1500-25	AFC-1500-25RC	AUB-1500-25RC	0-1500	0-100	300	20	50	5
AFC-2M-25	AFC-2M-25RC	AUB-2M-25RC	0-2000	0-140	400	40	40	4
*AFC-3M-25	AFC-3M-25RC	AUB-3M-25RC	0-3000	0-210	500	50	50	5
AFC-4M-25	AFC-4M-25RC	AUB-4M-25RC	0-4000	0-300	500	50	50	5
*AFC-5M-25	AFC-5M-25RC	AUB-5M-25RC	0-5000	0-350	1000	100	100	10
*AFC-6M-25	AFC-6M-25RC	AUB-6M-25RC	0-6000	0-420	1000	100	100	10
AFC-7500-25	AFC-7500-25RC	AUB-7500-25RC	0-7500	0-420	1000	100	100	10
AFC-10M-25	AFC-10M-25RC	AUB-10M-25RC	0-10000	0-700	2000	200	200	10
AFC-15M-25	AFC-15M-25RC	AUB-15M-25RC	0-15000	0-1000	3000	200	500	50

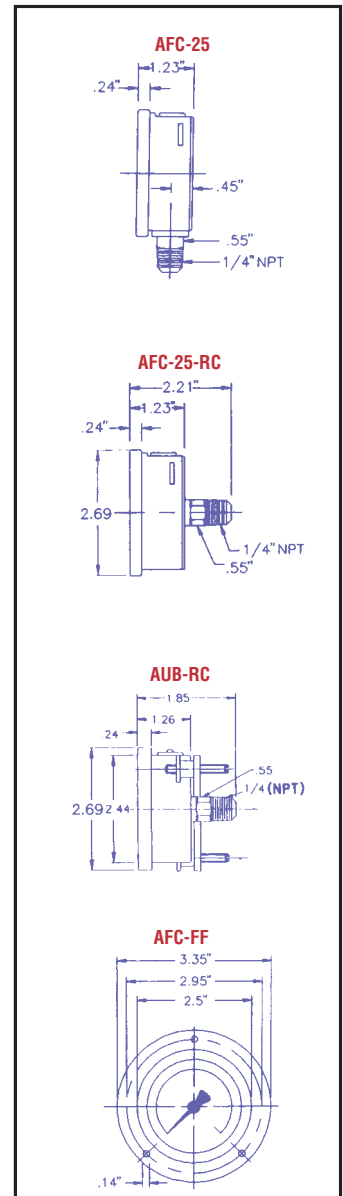
* SAE Connection Stock

2 1/2" Stainless Case-Brass Movement Compound Gauges

ST'D. BOTTOM MOUNT MODEL NUMBER	REAR CENTER MOUNT MODEL NUMBER	PANEL MOUNT CLAMP REAR CENTER MOUNT MODEL NUMBER	FULL RANGE		FIGURE INTERVAL	
			ENGLISH HG & PSI	METRIC BAR	ENGLISH HG & PSI	METRIC BAR
AFC-30-30-25	AFC-30-30-25RC	AUB-30-30-25RC	30"-0-30	-1-0-2	10" & 10	1 & 1
AFC-30-60-25	AFC-30-60-25RC	AUB-30-60-25RC	30"-0-60	-1-0-4	10" & 10	1 & 1
AFC-30-100-25	AFC-30-100-25RC	AUB-30-100-25RC	30"-0-100	-1-0-7	30" & 20	1 & 1
AFC-30-200-25	AFC-30-200-25RC	AUB-30-200-25RC	30"-0-200	-1-0-14	30" & 40	1 & 2

2 1/2" Stainless Case-Brass Movement Vacuum Gauges

ST'D. BOTTOM MOUNT MODEL NUMBER	REAR CENTER MOUNT MODEL NUMBER	PANEL MOUNT CLAMP REAR CENTER MOUNT MODEL NUMBER	FULL RANGE		FIGURE INTERVAL		GRADUATION INTERVAL	
			ENGLISH HG	METRIC BAR	ENGLISH HG	BAR	ENGLISH HG	BAR
AFC-30HG-25	AFC-30HG-25RC	AUB-30HG-25RC	0-30"	0-1	5	.2	1	.02





LNZ-25 ABS Case

Dial Size: 2 1/2" Glycerin Filled
Pressure Ranges: 30" HG to 6,000 PSI/Bar (Dual Scale)
Accuracy: Within 2.0% of Maximum Graduation
Case: ABS (Acrylnitril Butadien Styrol)
Bourdon Tube: Phosphor Bronze - Up to 600 P.S.I., Stainless Steel
 Coiled Tube for 600 PSI and Higher Pressures
Movement: Brass and Delrin[®] W/Highly Finished Bearing Surfaces
Connection: 1/4" Male NPT Brass Bottom or Rear Center Connection
(Optional Threads See Page 19c)

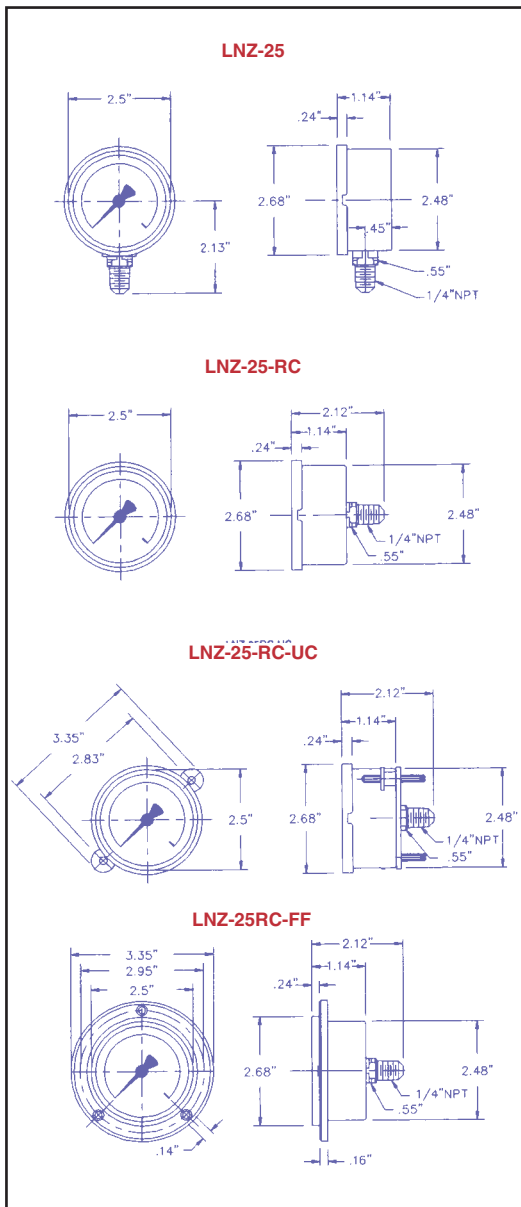
Safety Blow-Out Disc Included
Restrictors Standard to Restrict Pulsations

LNZ-25-RC MOUNTING OPTIONS, ADD SUFFIX:
"FF" for Black Front Flange - Example: LNZ-160-25RC-FF
"UC" for U-Clamp Panel Mounting - Example: LNZ-3M-25RC-UC



"LNZ-25"

LNZ-25 Series ABS Case Pressure Gauges featuring an ABS glycerin filled case, brass stem, are ideal for severe pulsation, vibration and where corrosive atmospheres are factors. These Lenz pressure gauges are perfect for the original equipment manufacturers (O.E.M.) and other hydraulic and pneumatic equipment due to being cost effective.



ST'D. BOTTOM MOUNT MODEL NUMBER	REAR CENTER MOUNT MODEL NUMBER	FULL RANGE		FIGURE INTERVAL		GRADUATION INTERVAL	
		ENGLISH PSI	METRIC BAR	PSI	BAR	PSI	BAR
LNZ-15-25	LNZ-15-25RC	0-15	0-1	3	.2	.25	.02
LNZ-30-25	LNZ-30-25RC	0-30	0-2	5	.5	.5	.05
LNZ-60-25	LNZ-60-25RC	0-60	0-4	10	1	1	.1
LNZ-100-25	LNZ-100-25RC	0-100	0-7	20	1	2	.2
LNZ-160-25	LNZ-160-25RC	0-160	0-10	20	2	2	.2
LNZ-200-25	LNZ-200-25RC	0-200	0-14	20	2	4	.2
LNZ-300-25	LNZ-300-25RC	0-300	0-20	50	5	5	.5
LNZ-400-25	LNZ-400-25RC	0-400	0-28	50	5	5	.5
LNZ-500-25	LNZ-500-25RC	0-500	0-35	100	5	10	.5
LNZ-600-25	LNZ-600-25RC	0-600	0-42	100	10	10	1
LNZ-800-25	LNZ-800-25RC	0-800	0-56	100	10	10	1
LNZ-1M-25	LNZ-1M-25RC	0-1000	0-70	200	10	20	2
LNZ-1500-25	LNZ-1500-25RC	0-1500	0-100	300	20	25	2
LNZ-2M-25	LNZ-2M-25RC	0-2000	0-140	400	20	25	2
LNZ-3M-25	LNZ-3M-25RC	0-3000	0-210	500	50	50	5
LNZ-5M-25	LNZ-5M-25RC	0-5000	0-350	1000	50	100	5
LNZ-6M-25	LNZ-6M-25RC	0-6000	0-420	1000	100	100	10

2 1/2" Glycerin-Filled Dual Scale Vacuum Gauges

ST'D. BOTTOM MOUNT MODEL NUMBER	REAR CENTER MOUNT MODEL NUMBER	FULL RANGE		FIGURE INTERVAL		GRADUATION INTERVAL	
		ENGLISH HG	METRIC BAR	HG	BAR	HG	BAR
LNZ-30HG-25	LNZ-30HG-25RC	0-30"	0-1	5	.2	1	.02



SS-25 Stainless Steel Case-Stainless Movement

- Dial Size:** 2 1/2" Glycerin Filled
- Pressure Ranges:** 30" HG to 15,000 PSI/Bar (Dual Scale)
- Accuracy:** Within 1.0% of Maximum Graduation
- Case:** Stainless Steel
- Bourdon Tube:** 316 Stainless Steel
- Movement:** 316 Stainless Steel with Highly Polished Bearing Surfaces
- Connection:** 1/4" Male NPT, 316 Stainless Steel
- Safety Blow-Out Plug Included**
- Restrictors Standard**



“SS-25”

SS-25 Series All Stainless Steel Pressure Gauges feature a stainless steel case, 316 stainless steel bourdon tube and stem, glycerin filled for severe punishment and years of service in the field. LENZ SS-25 series are highly accurate within 1% of full scale.

ST'D. BOTTOM MOUNT MODEL NUMBER	REAR CENTER MOUNT MODEL NUMBER	FULL RANGE		FIGURE INTERVAL		GRADUATION INTERVAL	
		ENGLISH PSI	METRIC BAR	PSI	BAR	PSI	BAR
SS-30-25	SS-30-25RC	0-30	0-2	5	.5	.5	.05
SS-60-25	SS-60-25RC	0-60	0-4	10	1	1	.1
SS-100-25	SS-100-25RC	0-100	0-7	20	2	2	.1
SS-160-25	SS-160-25RC	0-160	0-10	20	2	2	.2
SS-200-25	SS-200-25RC	0-200	0-14	40	4	4	.4
SS-300-25	SS-300-25RC	0-300	0-20	50	5	5	.5
SS-600-25	SS-600-25RC	0-600	0-40	100	10	10	1
SS-1M-25	SS-1M-25RC	0-1000	0-70	200	20	20	1
SS-1500-25	SS-1500-25RC	0-1500	0-100	300	20	50	5
SS-2M-25	SS-2M-25RC	0-2000	0-140	400	40	40	4
SS-3M-25	SS-3M-25RC	0-3000	0-210	500	50	50	5
SS-5M-25	SS-5M-25RC	0-5000	0-350	1000	100	100	10
SS-6M-25	SS-6M-25RC	0-6000	0-420	1000	100	100	10
SS-10M-25	SS-10M-25RC	0-10000	0-700	2000	200	200	10
SS-15M-25	SS-15M-25RC	0-15000	0-1000	3000	200	500	50

2 1/2" Stainless Steel

Compound Gauges • Standard Ranges

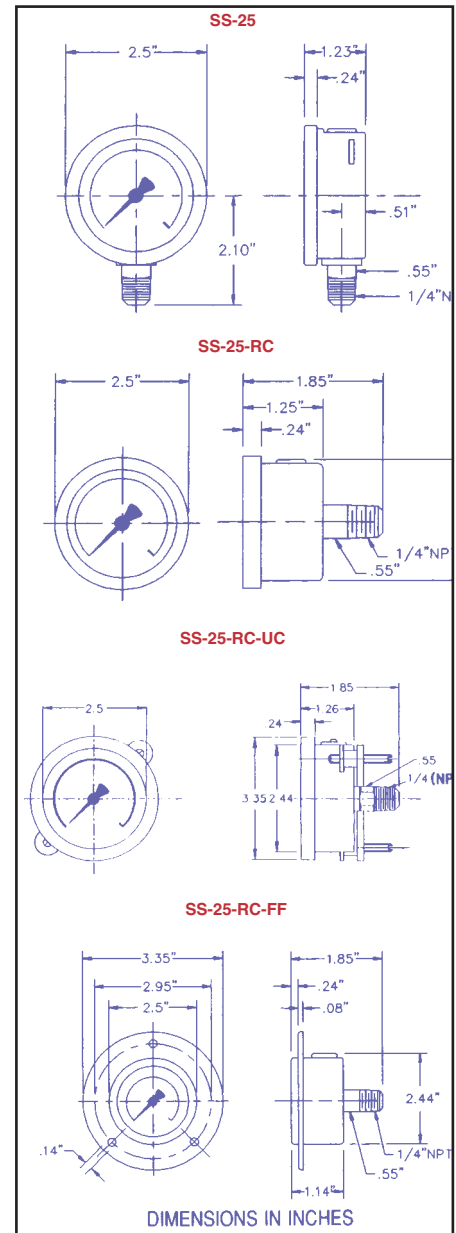
Use where pressures may vary from above atmospheric to below atmospheric.

ST'D. BOTTOM MOUNT MODEL NUMBER	REAR CENTER MOUNT MODEL NUMBER	FULL RANGE		FIGURE INTERVAL	
		ENGLISH HG & PSI	METRIC BAR	ENGLISH HG & PSI	METRIC BAR
SS-30-30-25	SS-30-30-25RC	30"-0-30	-1-0-2	10" & 10	1 & 1
SS-30-60-25	SS-30-60-25RC	30"-0-60	-1-0-4	10" & 10	1 & 1
SS-30-160-25	SS-30-160-25RC	30"-0-160	-1-0-10	30" & 20	1 & 2

Vacuum Gauges

Use where pressures may vary from above atmospheric to below atmospheric.

ST'D. BOTTOM MOUNT MODEL NUMBER	FULL RANGE		FIGURE INTERVAL		GRADUATION INTERVAL	
	ENGLISH HG	METRIC BAR	HG	BAR	HG	BAR
SS-30HG-25	0-30"	0-1	5"	2	1"	.02
SS-30HG-25RC	0-30"	0-1	5	2	1	.02



DIMENSIONS IN INCHES



AFC-20 Stainless Steel Case

- Dial Size: 2" Glycerin Filled
- Pressure Ranges: 30" HG to 5,000 PSI/Bar (Dual Scale)
- Accuracy: Within 2.0% of Maximum Graduation
- Case: Stainless Steel
- Bourdon Tube: Phosphor Bronze
- Movement: Brass with Highly Polished Bearing Surfaces
- Connection: 1/8" Standard and (1/4" NPT, Optional)
Bottom Connection or Rear Center
- Safety Blow-Out Plug Included / Restrictors Standard

AFC-20-RC MOUNTING OPTIONS, ADD SUFFIX:

"FF" for Polished Stainless Steel Front Flange

Example: AFC-160-20RC-FF

"U-Clamp" Models, Model Number Changes to "AUB"



"AFC-20RC"

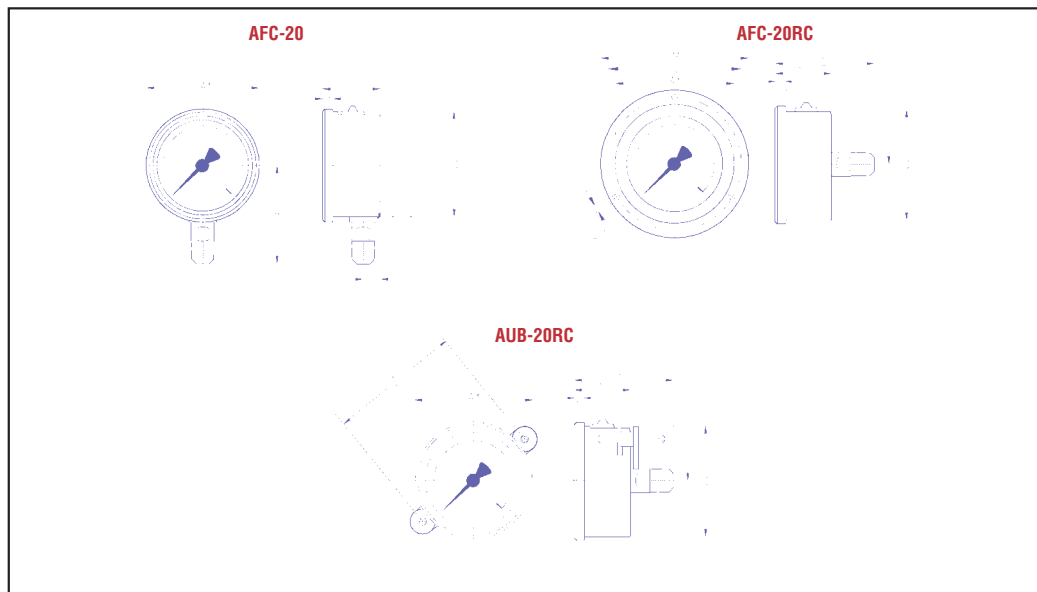


"AFC-20"

AFC-20 Series Stainless Steel Pressure Gauges

Lenz introduces a new 2" dial glycerin filled pressure gauge with features that include stainless steel case and brass stem which is suitable for hydraulic equipment including pumps & compressors where high vibration exist. The glycerin fill acts as a lubricant, prevents corrosion of the movement, dampens pulsation and vibration to eliminate pointer flutter or oscillation.

BOTTOM MOUNT MODEL NUMBER	REAR CENTER MOUNT MODEL NUMBER	PANEL MOUNT U-CLAMP MODEL NUMBER	FULL RANGE INTERVAL		FIGURE INTERVAL		GRADUATION INTERVAL	
			METRIC PSI	BAR	PSI	BAR	PSI	BAR
AFC-30HG-20	AFC-30HG-20RC	AUB-30HG-20RC	0-30"HG	0-1	5"HG	.2	1"HG	.02
AFC-15-20	AFC-15-20RC	AUB-15-20RC	0-15	0-1	3	.2	.25	.02
AFC-30-20	AFC-30-20RC	AUB-30-20RC	0-30	0-2	5	.5	.05	.05
AFC-60-20	AFC-60-20RC	AUB-60-20RC	0-60	0-4	10	1	1	.1
AFC-100-20	AFC-100-20RC	AUB-100-20RC	0-100	0-7	20	2	2	.2
AFC-160-20	AFC-160-20RC	AUB-160-20RC	0-160	0-10	20	2	2	.2
AFC-200-20	AFC-200-20RC	AUB-200-20RC	0-200	0-14	40	4	4.2	.2
AFC-300-20	AFC-300-20RC	AUB-300-20RC	0-300	0-20	50	5	5	.5
AFC-600-20	AFC-600-20RC	AUB-600-20RC	0-600	0-40	100	10	10	1
AFC-1M-20	AFC-1M-20RC	AUB-1M-20RC	0-1000	0-70	200	20	20	2
AFC-2M-20	AFC-2M-20RC	AUB-2M-20RC	0-2000	0-140	400	40	25	2
AFC-3M-20	AFC-3M-20RC	AUB-3M-20RC	0-3000	0-210	500	50	50	5
AFC-5M-20	AFC-5M-20RC	AUB-5M-20RC	0-5000	0-350	1000	100	100	5





LZ-15 & LZ-20 ABS Case

Dial Size: 1 1/2" / 2" Dry Case

Pressure Ranges: 30" HG to 200 PSI (Single Scale)

Accuracy: Within 2% of Maximum Graduation

Case: ABS (Acrylnitril Butadien Styrol)

Bourdon Tube: Phosphor Bronze

Movement: Brass with Highly Polished Bearing Surfaces

Connection: 1/8" Brass Bottom or Rear Center Mount

(Optional Threads See Page 19c)

LZ-20-RC MOUNTING OPTIONS, ADD SUFFIX:

"FFC" for Chrome Front Flange available only on 2"

Example: LZ-160-20RC-FF



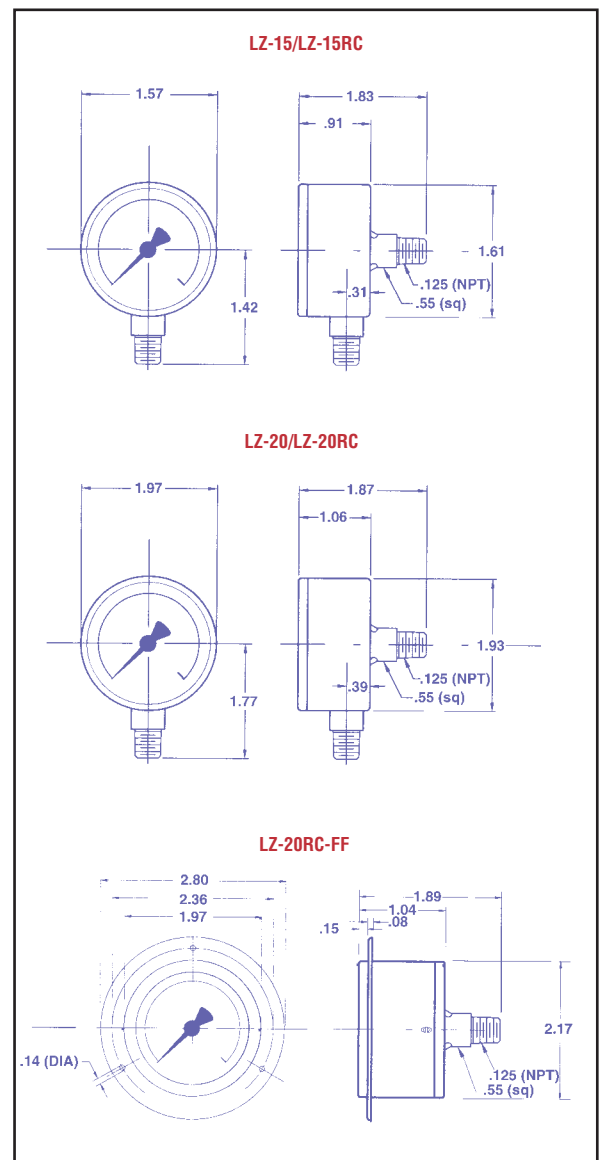
"LZ-15 & LZ-20"

LZ-15 & LZ-20 Series ABS Case Pressure Gauges

LENZ 1 1/2" & 2" ABS Case Pressure Gauges are perfect for hydraulic and pneumatic equipment. These cost effective pressure gauges are designed where space constraints are a problem.

ST'D. BOTTOM MOUNT MODEL NUMBER	REAR CENTER MOUNT MODEL NUMBER	FULL RANGE ENGLISH		FIGURE METRIC INTERVAL		GRADUATION INTERVAL	
		PSI	BAR	PSI	BAR	PSI	BAR
LZ-30HG-15	LZ-30HG-15RC	0-30"HG	0-1	5"HG	.2	1"HG	.02
LZ-15-15	LZ-15-15RC	0-15	0-1	3	.2	.25	.02
LZ-30-15	LZ-30-15RC	0-30	0-2	5	.5	.5	.05
LZ-60-15	LZ-60-15RC	0-60	0-4	10	1	1	.1
LZ-100-15	LZ-100-15RC	0-100	0-7	20	2	2	.1
LZ-160-15	LZ-160-15RC	0-160	0-10	20	2	2	.2
LZ-200-15	LZ-200-15RC	0-200	0-14	40	4	4	.4

ST'D. BOTTOM MOUNT MODEL NUMBER	REAR CENTER MOUNT MODEL NUMBER	FULL RANGE ENGLISH		FIGURE METRIC INTERVAL		GRADUATION INTERVAL	
		PSI	BAR	PSI	BAR	PSI	BAR
LZ-30HG-20	LZ-30HG-20RC	0-30"HG	0-1	5"HG	.2	1"HG	.02
LZ-15-20	LZ-15-20RC	0-15	0-1	3	.2	.25	.02
LZ-30-20	LZ-30-20RC	0-30	0-2	5	.5	.5	.05
LZ-60-20	LZ-60-20RC	0-60	0-4	10	1	1	.1
LZ-100-20	LZ-100-20RC	0-100	0-7	20	2	2	.1
LZ-160-20	LZ-160-20RC	0-160	0-10	20	2	2	.2
LZ-200-20	LZ-200-20RC	0-200	0-14	40	4	4	.4





LZ-25 Steel Case

- Dial Size:** 2 1/2" Dry Case
- Pressure Ranges:** 30" HG to 6,000 PSI/Bar (Dual Scale)
- Accuracy:** Within 2.0% of Maximum Graduation
- Case:** Black Steel
- Bourdon Tube:** Phosphor Bronze
- Movement:** Brass
- Connection:** 1/4" Male NPT Brass Bottom or Rear Center Connection
(Optional Threads See Page 19c)
- Restrictors Standard:**

Maximum Indicating Dial can be added to LZ Series Gauges at Factory. See Pg. 16
Glass Lens Available.

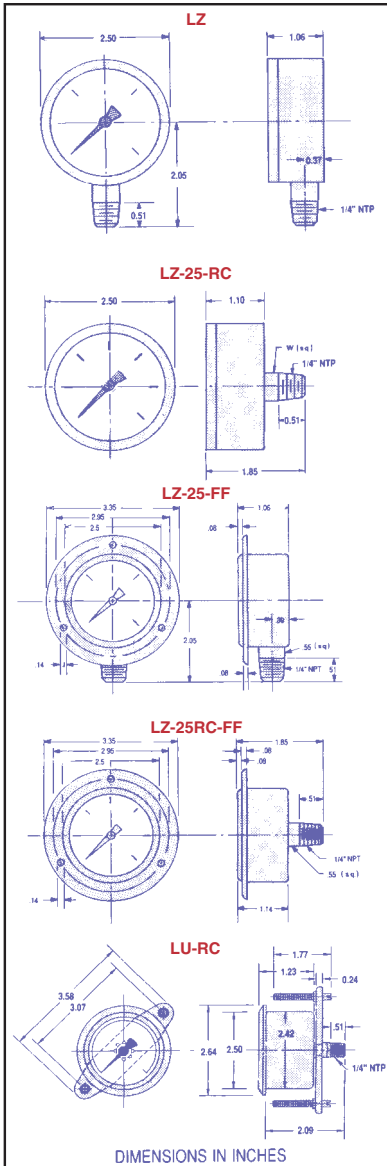
LZ-25/ LZ-25-RC MOUNTING OPTIONS, ADD SUFFIX:
 "FF" for Chrome Front Flange - Example: LZ-160-25RC-FF
 Change Prefix "LZ" to "LU" for U-Clamp Model: See Chart Below



"LZ-25"

LZ-25 Series Steel Case Pressure Gauges

LENZ 2 1/2" Steel Case Pressure Gauges are perfect for hydraulic and pneumatic equipment. These cost effective pressure gauges are designed where space constraints are a problem.



ST'D. BOTTOM MOUNT MODEL NUMBER	REAR CENTER MOUNT MODEL NUMBER	PANEL MOUNT U CLAMP REAR CENTER MOUNT MODEL NUMBER	FULL RANGE		FIGURE INTERVAL		GRADUATION INTERVAL	
			ENGLISH PSI	METRIC BAR	PSI	BAR	PSI	BAR
LZ-15-25	LZ-15-25RC	LU-15-25RC	0-15	0-1	3	.2	.25	.02
LZ-30-25	LZ-30-25RC	LU-30-25RC	0-30	0-2	5	.5	.5	.05
LZ-60-25	LZ-60-25RC	LU-60-25RC	0-60	0-4	10	1	1	.1
LZ-100-25	LZ-100-25RC	LU-100-25RC	0-100	0-7	20	2	2	.1
LZ-160-25	LZ-160-25RC	LU-160-25RC	0-160	0-10	20	2	2	.2
LZ-200-25	LZ-200-25RC	LU-200-25RC	0-200	0-14	40	4	4	.4
LZ-300-25	LZ-300-25RC	LU-300-25R	0-300	0-20	50	5	5	.5
LZ-400-25	LZ-400-25RC	LU-400-25RC	0-400	0-28	50	5	5	.5
LZ-600-25	LZ-600-25RC	LU-600-25RC	0-600	0-42	100	10	10	1
LZ-1M-25	LZ-1M-25RC	LU-1M-25RC	0-1000	0-70	100	20	20	1
LZ-1500-25	LZ-1500-25RC	LU-1500-25RC	0-1500	0-100	300	20	50	5
LZ-2M-25	LZ-2M-25RC	LU-2M-25RC	0-2000	0-140	400	40	40	4
LZ-3M-25	LZ-3M-25RC	LU-3M-25RC	0-3000	0-210	600	50	50	5
LZ-5M-25	LZ-5M-25RC	LU-5M-25RC	0-5000	0-350	1000	100	100	10
LZ-6M-25	LZ-6M-25RC	LU-6M-25RC	0-6000	0-420	1000	100	100	10

Vacuum Gauges

ST'D. BOTTOM MOUNT MODEL NUMBER	REAR CENTER MOUNT MODEL NUMBER	FULL RANGE		FIGURE INTERVAL		GRADUATION INTERVAL	
		ENGLISH HG	METRIC BAR	HG	BAR	HG	BAR
LZ-30HG-25	LZ-30HG-25RC	0-30"	0-1	5	.2	1	.02

Compound Gauges

Use where pressures may vary from above atmospheric to below atmospheric.

ST'D. BOTTOM MOUNT MODEL NUMBER	REAR CENTER MOUNT MODEL NUMBER	FULL RANGE		FIGURE INTERVAL	
		ENGLISH HG	METRIC BAR	HG	BAR
LZ-30-15-25	LZ-30-15-25RC	30"-0-15	-1-0-1	10" & 5	.2 & .2
LZ-30-30-25	LZ-30-30-25RC	30"-0-30	-1-0-2	10" & 10	1 & 1
LZ-30-60-25	LZ-30-60-25RC	30"-0-60	-1-0-4	10" & 10	1 & 1
LZ-30-100-25	LZ-30-100-25RC	30"-0-100	-1-0-7	30" & 20	1 & 1
LZ-30-160-25	LZ-30-160-25RC	30"-0-160	-1-0-10	30" & 20	1 & 2
LZ-30-200-25	LZ-30-200-25RC	30"-0-200	-1-0-14	30" & 40	1 & 2



BAC-4 Brass Case

Dial Size: 4" Glycerin Filled

Pressure Ranges: 30" HG to 15,000 PSI/Bar (Dual Scale)

Accuracy: Within 1.5% of Maximum Graduation

Case: Forged Brass Chrome Plated

Bourdon Tube: Copper Alloy - Up to 1500 PSI

Safety Coiled Alloy Steel for 1500 PSI and Higher

Movement: Brass With Highly Finished Bearing Surfaces

Connection: 1/2" Male NPT Brass Bottom or rear lower connection
(Optional 1/4" Available)

(Optional Threads See Page 19c)

Safety Blow-Out Plug Included.

Restrictors Standard to Restrict Pulsations.

BAC-4/ BAC-4-RL MOUNTING OPTIONS, ADD SUFFIX:

“FF” for Chrome Front Flange - Example: BAC-5M-4RL-FF

“UC” for U-Clamp - Example: BAC-3M-4RL-UC

“RF” for Chrome Rear Flange - Example: BAC-1500-4RF

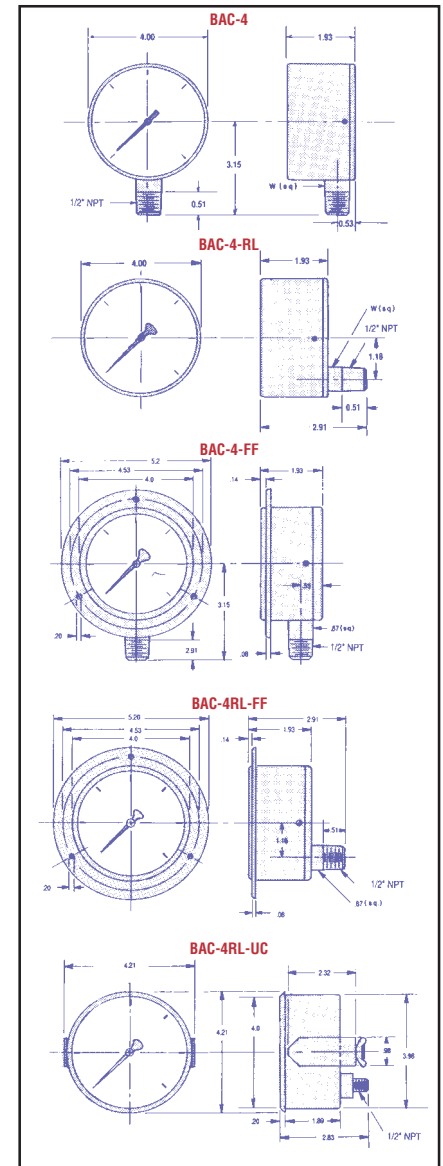


“BAC-4”

BAC-4 Series Brass Case Pressure Gauges

LENZ all brass cases are designed for the most rugged applications due to the bourdon tube being brazed to the one-piece brass case/socket and are known for their reliability in the field where vibration and pulsation can occur.

ST'D. BOTTOM MOUNT MODEL NUMBER	REAR LOWER MOUNT MODEL NUMBER	FULL RANGE		FIGURE INTERVAL		GRADUATION INTERVAL	
		ENGLISH PSI	METRIC BAR	PSI	BAR	PSI	BAR
BAC-30HG-4	BAC-30HG-4RL	0-30"HG	0-1	5"HG	.2	1"HG	.02
BAC-30-4	BAC-30-4RL	0-30	0-2	5	.5	.5	.05
BAC-60-4	BAC-60-4RL	0-60	0-4	10	1	1	.1
BAC-100-4	BAC-100-4RL	0-100	0-7	10	1	1	.1
BAC-160-4	BAC-160-4RL	0-160	0-10	20	2	2	.2
BAC-200-4	BAC-200-4RL	0-200	0-14	20	2	4	.4
BAC-300-4	BAC-300-4RL	0-300	0-20	50	2	5	.4
BAC-400-4	BAC-400-4RL	0-400	0-28	50	5	5	.5
BAC-600-4	BAC-600-4RL	0-600	0-42	100	10	10	1
BAC-800-4	BAC-800-4RL	0-800	0-56	100	10	20	1
BAC-1M-4	BAC-1M-4RL	0-1000	0-70	200	10	20	2
BAC-1500-4	BAC-1500-4RL	0-1500	0-100	300	20	25	2
BAC-2M-4	BAC-2M-4RL	0-2000	0-140	400	20	25	2
BAC-3M-4	BAC-3M-4RL	0-3000	0-210	500	20	50	4
BAC-5M-4	BAC-5M-4RL	0-5000	0-350	1000	50	100	5
BAC-10M-4	BAC-10M-4RL	0-10000	0-700	2000	100	200	20
BAC-15M-4	BAC-15M-4RL	0-15000	0-1050	3000	200	250	20





AFC-4 Stainless Steel Case

Dial Size: 4" Glycerin Filled

Pressure Ranges: 30" HG to 15,000 PSI/Bar (Dual Scale)

Accuracy: Within 2.0% of Maximum Graduation

Case: Polished Stainless Steel Ring

Bourdon Tube: Copper Alloy - Up to 1500 PSI

Safety Coiled Alloy Steel for 1500 PSI and Higher

Movement: Brass With Highly Finished Bearing Surfaces

Connection: 1/4" Male NPT Brass Bottom or Rear Lower Connection

(Optional Threads See Page 19c)

Safety Blow-Out Plug Included

Restrictors Standard to Restrict Pulsations.

AFC-4-RL MOUNTING OPTIONS, ADD SUFFIX:

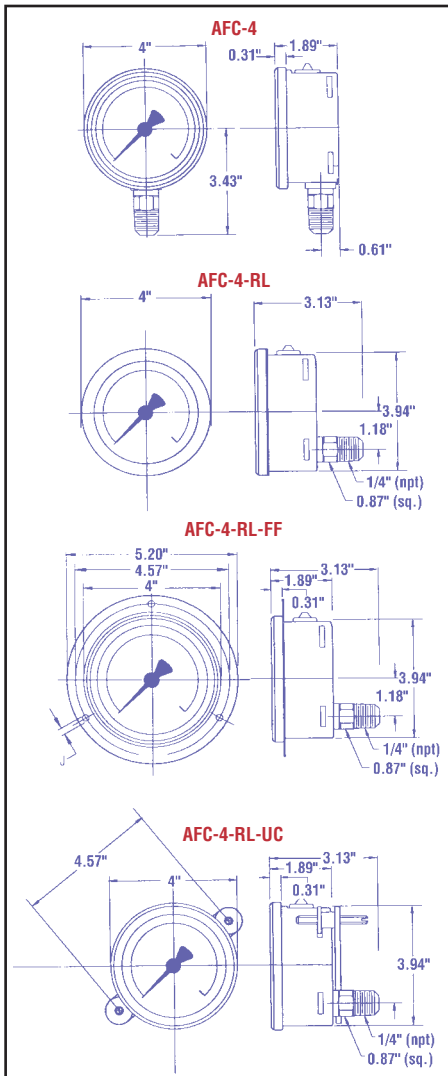
"FF" for Polished Stainless Steel Front Flange - Example: AFC-5M-4RL-FF

"UC" for U-Clamp - Example: AFC-3M-4RL-UC

"RF" for Polished Stainless Steel Rear Flange



"AFC-4"



AFC Series 4" Pressure Gauges

LENZ gauges have a 4" stainless steel case, are glycerin filled, with brass connection and are best suited for pumps, compressors, and hydraulic equipment where high vibration exists. The stainless steel case offers protection from corrosive environments as are found, for example, at chemical plants and petrochemical plants. The glycerin fill acts as a permanent lubricant, prevents corrosion of the movement, dampens pulsation and vibration to eliminate pointer flutter or oscillation.

ST'D. BOTTOM MOUNT MODEL NUMBER	REAR CENTER MOUNT MODEL NUMBER	FULL RANGE		FIGURE INTERVAL		GRADUATION INTERVAL	
		ENGLISH PSI	METRIC BAR	PSI	BAR	PSI	BAR
AFC-30HG-4	AFC-30HG-4RL	0-30"HG	0-1	5"HG	.2	1"HG	.02
AFC-15-4	AFC-15-4RL	0-15	0-1	10	1	1	.1
AFC-30-4	AFC-30-4RL	0-30	0-2	20	2	2	.1
AFC-60-4	AFC-60-4RL	0-60	0-4	20	2	2	.2
AFC-100-4	AFC-100-4RL	0-100	0-7	40	4	4	.4
AFC-160-4	AFC-160-4RL	0-160	0-10	50	5	5	.5
AFC-200-4	AFC-200-4RL	0-200	0-14	100	10	10	1
AFC-300-4	AFC-300-4RL	0-300	0-20	200	20	20	1
AFC-400-4	—	0-400	0-28	300	20	50	5
AFC-600-4	AFC-600-4RL	0-600	0-42	400	40	40	4
AFC-1M-4	AFC-1M-4RL	0-1000	0-70	500	50	50	5
AFC-1500-4	—	0-1500	0-100	1000	100	100	10
AFC-2M-4	AFC-2M-4RL	0-2000	0-140	1000	100	100	10
AFC-3M-4	AFC-3M-4RL	0-3000	0-210	2000	200	200	10
AFC-5M-4	AFC-5M-4RL	0-5000	0-350	3000	200	500	50
AFC-6M-4	AFC-6M-4RL	0-6000	0-350	3000	200	500	50
AFC-10M-4	—	0-10000	0-700	3000	200	500	50
AFC-15M-4	—	0-15000	0-1000	3000	200	500	50



SS-4 Stainless Steel Case-Stainless Movement

- Dial Size:** 4" Glycerin Filled
- Pressure Ranges:** 30" HG to 15,000 PSI/Bar (Dual Scale)
- Accuracy:** Within 1.0% of Maximum Graduation
- Case:** 304SS Stainless Steel
- Bourdon Tube:** 316 Stainless Steel
- Movement:** 316 Stainless Steel with Highly Polished Bearing Surfaces
- Connection:** 1/2" Male NPT, 316 Stainless Steel
- Safety Blow-Out Plug Included.**
- Restrictors Standard.**

SS-4-RL MOUNTING OPTIONS, ADD SUFFIX:

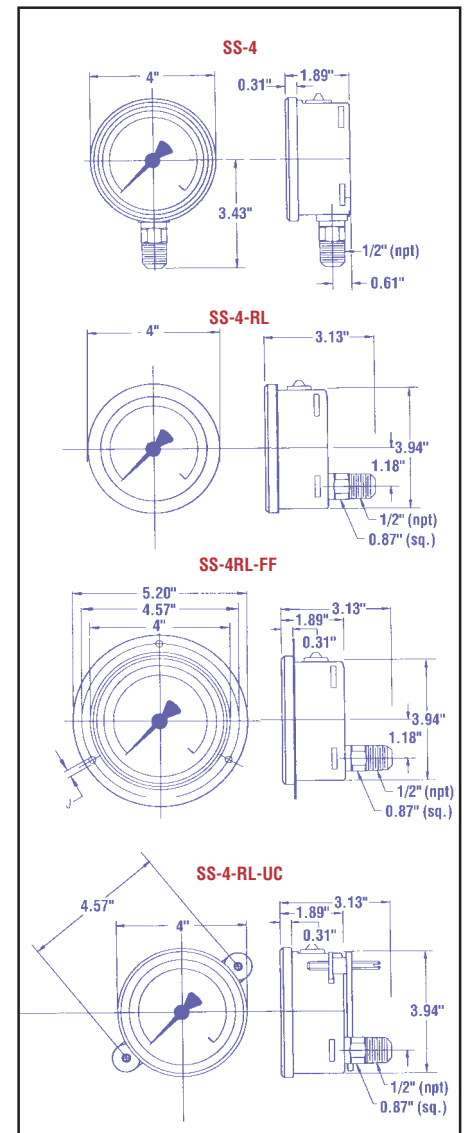
- "FF" for Polished Stainless Steel Front Flange - Example: SS-10M-4RL-FF
- "UC" for Stainless Steel U-Clamp - Example: SS-3M-4RL-UC
- "RF" for Stainless Steel Rear Flange - Example: SS-1M-4RF



"SS-4"

SS-4 Series All Stainless Steel Pressure Gauges feature a stainless steel case, 316 stainless steel bourdon tube and stem, glycerin filled for severe punishment and years of service in the field. LENZ SS-4 series are highly accurate within 1% of full scale.

ST'D. BOTTOM MOUNT MODEL NUMBER	REAR LOWER MOUNT MODEL NUMBER	FULL RANGE		FIGURE INTERVAL		GRADUATION INTERVAL	
		ENGLISH PSI	METRIC BAR	PSI	BAR	PSI	BAR
SS-30HG-4	SS-30HG-4RL	0-30"HG	0-1	5"HG	.2	1"HG	.02
SS-30-4	SS-30-4RL	0-30	0-2	5	.5	.5	.05
SS-60-4	SS-60-4RL	0-60	0-4	10	1	1	.1
SS-100-4	SS-100-4RL	0-100	0-7	10	1	1	.1
SS-160-4	SS-160-4RL	0-160	0-10	20	2	2	.2
SS-300-4	SS-300-4RL	0-300	0-20	50	2	5	.4
SS-600-4	SS-600-4RL	0-600	0-42	100	10	10	1
SS-1M-4	SS-1M-4RL	0-1000	0-70	100	10	10	1
SS-2M-4	SS-2M-4RL	0-2000	0-140	200	20	20	2
SS-3M-4	SS-3M-4RL	0-3000	0-210	500	50	20	2
SS-5M-4	SS-5M-4RL	0-5000	0-350	1000	50	50	5
SS-6M-4	SS-6M-4RL	0-6000	0-420	1000	100	50	5
SS-10M-4	SS-10M-4RL	0-10000	0-700	1000	100	50	5
SS-15M-4	SS-15M-4RL	0-15000	0-1050	3000	200	100	10





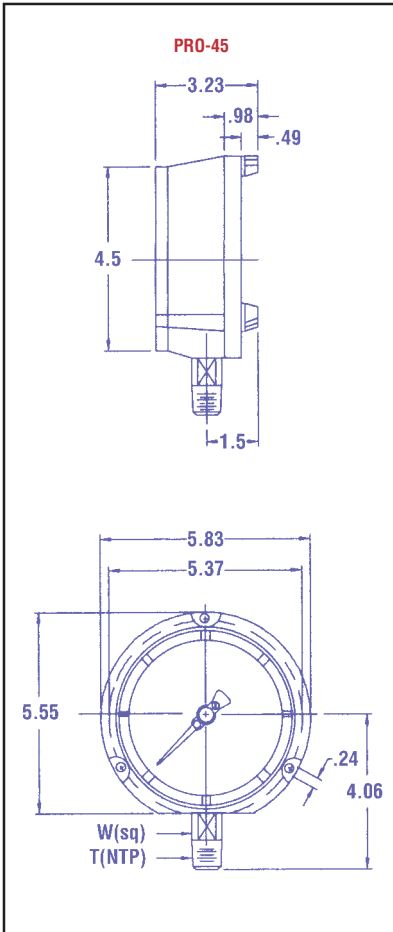
PRO-45 Process ABS Case-Stainless Movement

- Dial Size:** 4 1/2" Glycerin Filled
- Pressure Ranges:** 30" HG to 30,000 PSI (Single Scale)
- Accuracy:** Within +/- 0.5% of Maximum Graduation
- Case:** Fiberglass reinforced thermoplastic, black
- Bourdon Tube:** Type 316 Stainless Steel
- Movement:** Type 316 Stainless Steel
- Connection:** 1/2" Male NPT, Type 316 Stainless Steel
- Safety Blow-Out Back Case**
- Restrictors Standard**



“PRO-45”

PRO-45 Series Process Gauges have been designed and manufactured to the highest standards for the chemical & petroleum industries to withstand vibration, corrosive media and environments, and a wide range of temperatures.



ST'D. BOTTOM MOUNT MODEL NUMBER	FULL RANGE ENGLISH PSI	FIGURE INTERVAL PSI	GRADUATION INTERVAL PSI
PRO-30HG-45	0-30"HG	5"HG	1"HG
PRO-30-45	0-30	5	.5
PRO-60-45	0-60	10	1
PRO-100-45	0-100	10	1
PRO-160-45	0-160	20	2
PRO-300-45	0-300	50	5
PRO-600-45	0-600	100	10
PRO-1M-45	0-1000	100	10
PRO-2M-45	0-2000	200	20
PRO-3M-45	0-3000	500	20
PRO-5M-45	0-5000	1000	50
PRO-6M-45	0-6000	1000	50
PRO-10M-45	0-10000	1000	50
PRO-15M-45	0-15000	2000	100
PRO-20M-45	0-20000	2000	100
PRO-30M-45	0-30000	2000	100



LOW-25 Black Steel Case-Capsule Movement

Inches/Water Column

Dial Size: 2 1/2" Dry Case

Pressure Ranges: 15"H2O to 240"H2O/3 to 10 PSI

Accuracy: Within 1.5% of Maximum Graduation

Case: Black Steel

Movement: Copper Alloy Capsule designed to measure low pressure

Connection: 1/4" Brass Bottom Mount or Rear Connection

Recalibration: Adjustment Screw on dial to re-zero pointer if necessary

LOW-25 MOUNTING OPTIONS, ADD SUFFIX:

"FF" for Chrome Front Flange - Example: LOW-30H2O-25RC-FF



LOW-25"

LOW-25

LENZ Low pressure gauges are extremely sensitive and highly accurate. The copper alloy capsule is designed to measure pressure and vacuum of gaseous media from as low as 15"H2O to 240"H2O/3 to 10 PSI

Pressure Ranges (dual scale) (H2O/mm H2O)

STANDARD BOTTOM MOUNT MODEL NUMBER	REAR CENTER MOUNT MODEL NUMBER	Inches/H2O	mm/H2O
LOW-15H2O-25	LOW-15H2O-25RC	0-15	0-380
LOW-30H2O-25	LOW-30H2O-25RC	0-30	0-760
LOW-60H2O-25	LOW-60H2O-25RC	0-60	0-1500
LOW-100H2O-25	LOW-100H2O-25RC	0-100	0-2500
LOW-200H2O-25	LOW-200H2O-25RC	0-200	0-5000

(oz./sq.in./ H2O)

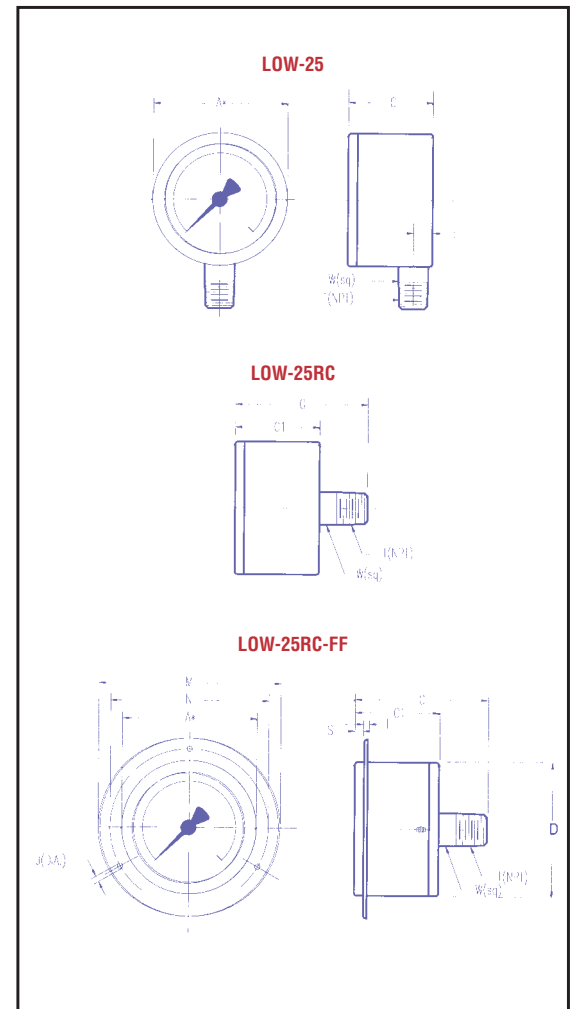
STANDARD BOTTOM MOUNT MODEL NUMBER	REAR CENTER MOUNT MODEL NUMBER	Ounces	Inches/H2O
LOW-20OZ-25	LOW-20OZ-25RC	0-20	0-34
LOW-32OZ-25	LOW-32OZ-25RC	0-32	0-55

(oz./sq.in./ mmH2O)

STANDARD BOTTOM MOUNT MODEL NUMBER	REAR CENTER MOUNT MODEL NUMBER	Ounces	mm/H2O
LOW-20OZ-25	LOW-20OZMM-25RC	0-15	0-880
LOW-30OZ-25	LOW-30OZMM-25RC	0-30	0-1320
LOW-60OZ-25	LOW-60OZMM-25RC	0-60	0-2640

Pressure Ranges (Single Scale)

STANDARD BOTTOM MOUNT MODEL NUMBER	REAR CENTER MOUNT MODEL NUMBER	PSI
LOW-03-25	LOW-03-25RC	0-3
LOW-05-25	LOW-05-25RC	0-5
LOW-10-25	LOW-10-25RC	0-10





AMM-25 Refrigeration Ammonia Pressure Gauges

Dial Size: 2 1/2" (Dry Case)

Ranges: 30" to 300 PSI/F (Dual Scale)

Accuracy: Within 1.5% of Maximum Graduation

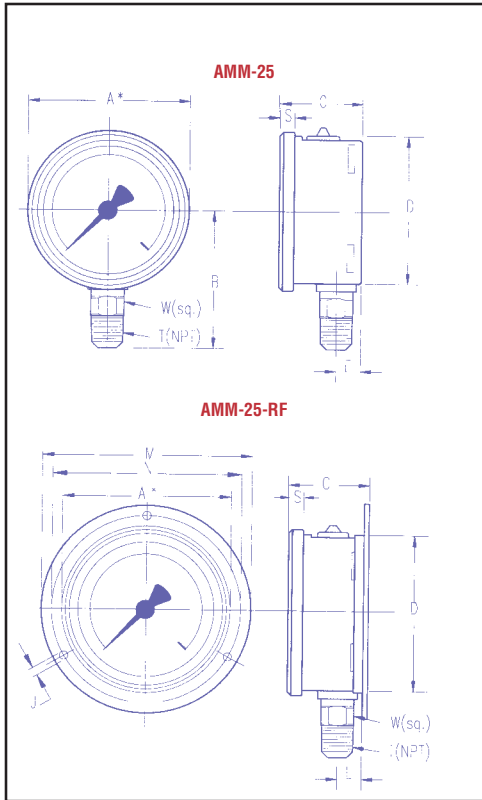
Case: Stainless Steel

Movement: 316 Stainless Steel

Connection: 1/4" 316 Stainless Steel



“AMM-25”



LENZ Refrigeration Ammonia Gauges are suitable for refrigeration Ammonia and other liquid or gaseous media which are compatible with 316 stainless steel & will not contaminate the pressure system.

STANDARD BOTTOM MOUNT MODEL NUMBER	PSI/F
AMM-30-150-25	30"-150 PSI/84 F
AMM-30-300-25	30"-300 PSI/126 F





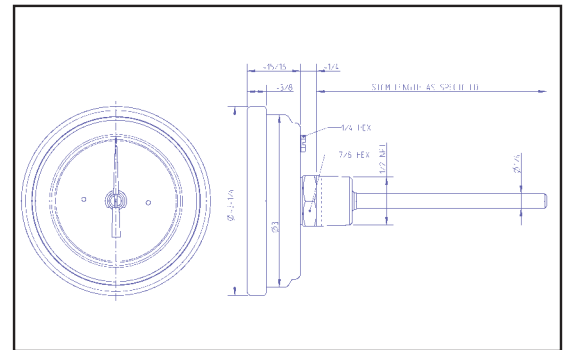
Bimetal Thermometer

Model No. BMT
Case & Stem: 304 Stainless Steel
Window: Instrument Glass (Acrylic Optional)
Connections are all 1/2" NPT
External Zero Adjustment
Dial Sizes Available: 3" or 5"
Optional: Temperature Ratings up to 750° Fahrenheit
Optional: Silicone Liquid Filling. Standard Stem Lengths up to 24" and custom lengths up to 72".
 Stem lengths are measured from the underneath side of the hex.
 Lenz will build to your specifications!

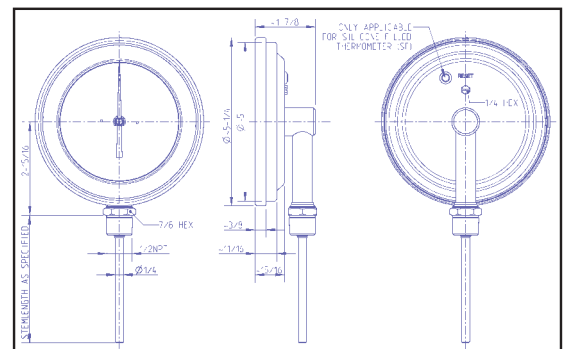
Lenz's Bimetal Thermometers were developed to fill a need for a thermometer performing accurately under rough and difficult applications. This is accomplished by utilizing the Law of Coefficient of Expansion differential of two unlike materials; hence the name "Bimetal Thermometer." The expansion differential of the two unlike metals, connected with a mechanical linkage which Lenz coats with a viscous silicone to minimize pointer oscillation, shows the temperature on the hermetically sealed dial. The Lenz BMT series thermometer probe extends well into the fluid to provide a more accurate reading of fluid temperatures than surface thermometers and are unaffected by ambient temperature.



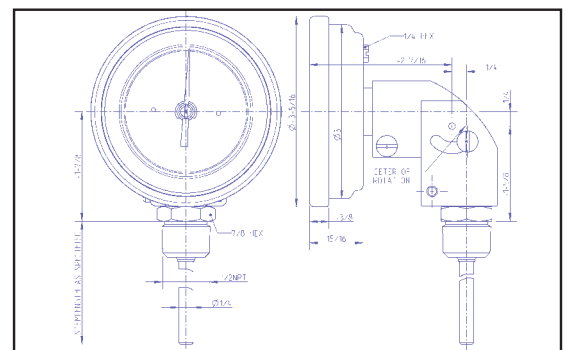
MODEL NUMBER	DIAL SIZE	TEMPERATURE	STEM LENGTH	STEM CONNECTION
BMT-3-250-25-RC	3"	0-250 F° / -20-120 C°	2 1/2"	Rear Connection
BMT-3-250-4-RC	3"	0-250 F° / -20-120 C°	4"	
BMT-3-250-6-RC	3"	0-250 F° / -20-120 C°	6"	
BMT-3-550-25-RC	3"	50-550 F° / 10-290 C°	2 1/2"	Rear Connection
BMT-3-550-4-RC	3"	50-550 F° / 10-290 C°	4"	
BMT-3-550-6-RC	3"	50-550 F° / 10-290 C°	6"	
BMT-3-250-25-LM	3"	0-250 F° / -20-120 C°	2 1/2"	Lower Mount
BMT-3-250-4-LM	3"	0-250 F° / -20-120 C°	4"	
BMT-3-250-6-LM	3"	0-250 F° / -20-120 C°	6"	
BMT-3-550-25-LM	3"	50-550 F° / 10-290 C°	2 1/2"	Lower Mount
BMT-3-550-4-LM	3"	50-550 F° / 10-290 C°	4"	
BMT-3-550-6-LM	3"	50-550 F° / 10-290 C°	6"	
BMT-3-250-25-AA	3"	0-250 F° / -20-120 C°	2 1/2"	All Angle
BMT-3-250-4-AA	3"	0-250 F° / -20-120 C°	4"	
BMT-3-250-6-AA	3"	0-250 F° / -20-120 C°	6"	
BMT-3-550-25-AA	3"	50-550 F° / 10-290 C°	2 1/2"	All Angle
BMT-3-550-4-AA	3"	50-550 F° / 10-290 C°	4"	
BMT-3-550-6-AA	3"	50-550 F° / 10-290 C°	6"	
BMT-5-550-25-AA	5"	50-550 F° / 10-290 C°	2 1/2"	All Angle
BMT-5-550-4-AA	5"	50-550 F° / 10-290 C°	4"	
BMT-5-550-6-AA	5"	50-550 F° / 10-290 C°	6"	



BMT-RC



BMT-LM



BMT-AA

Thermowells permit the removal, replacement or testing of the Bimetal Thermometer without affecting the process media or the system.

MODEL	DESCRIPTION
TW-25	Thermowell: For 2 1/2" Probe Lengths
TW-4	Thermowell: For 4" Probe Lengths
TW-6	Thermowell: For 6" Probe Lengths





Transducers

Model No. LZT

Specifications

- Protected against reverse polarity, short circuit, and overvoltage
- 1/4 NPT or 7/16-20 UNF connections
- Stainless steel case (316) and (316L) wetted parts
- 24 pressure ranges available (0-8000 PSI)
- Accuracy .5% (B.F.S.L.) of span
- Repeatability .05% of span
- Hysteresis .1% of span
- Supply voltage 10-30vdc (14-30 for 0-10v output signal)
- Operating temperature 32-180 F (0-80 C)
- Response less than MS between 10-90% full scale
- Weight 0.2 lbs. (0.1 kg)



Options

- Output signal
- 4-20 mA 2 wire system
- 0-5 V 3-wire system
- 0-10 V 3-wire system

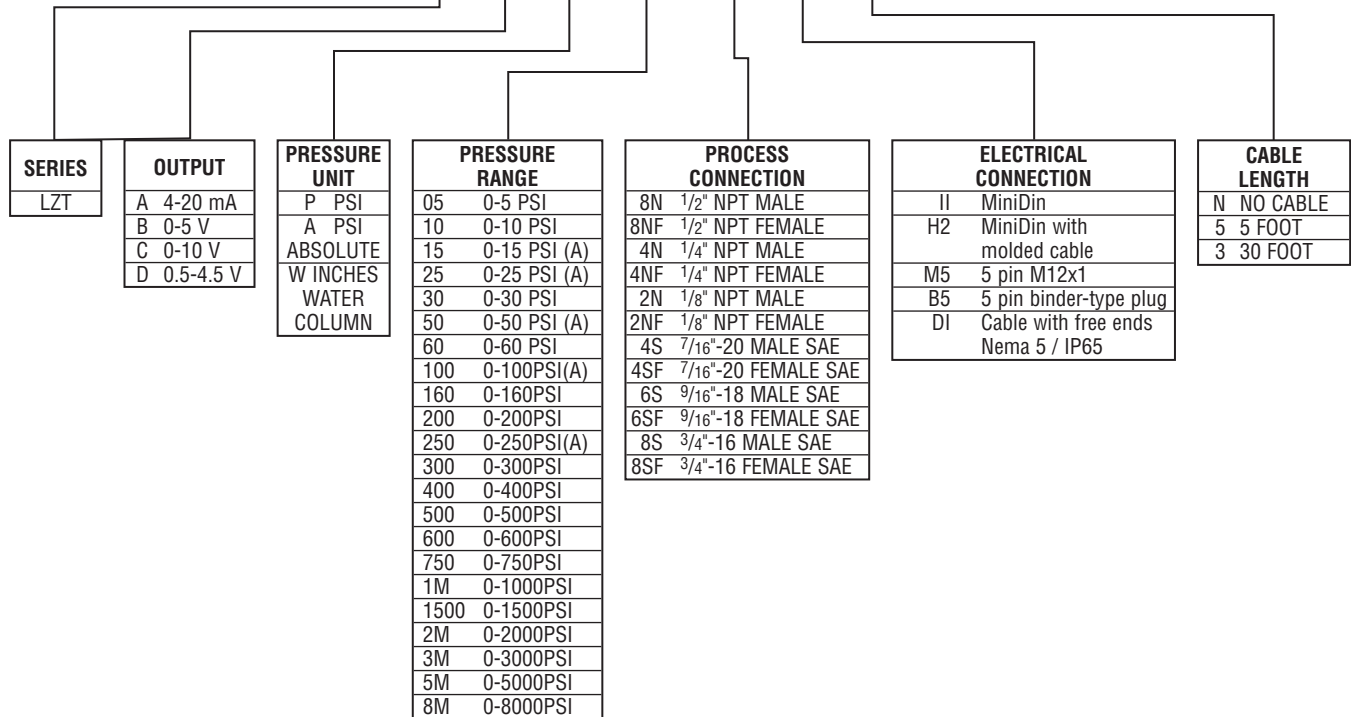
How it works

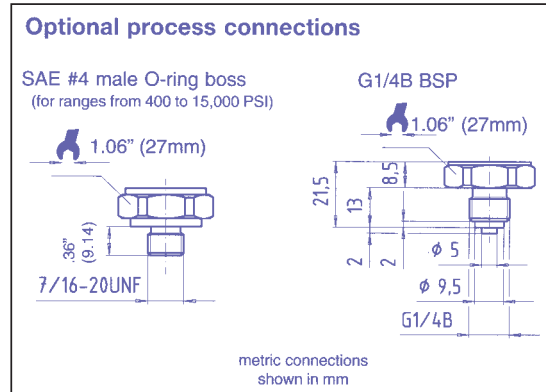
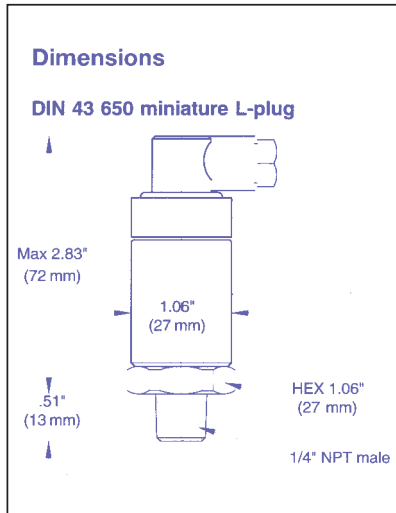
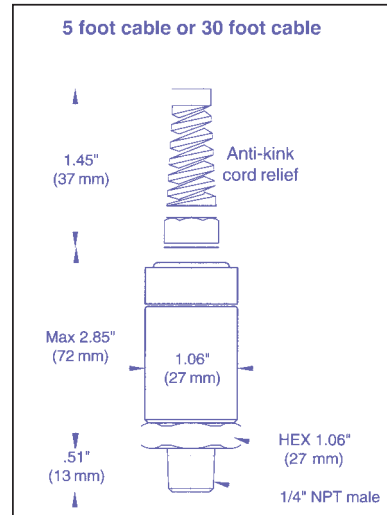
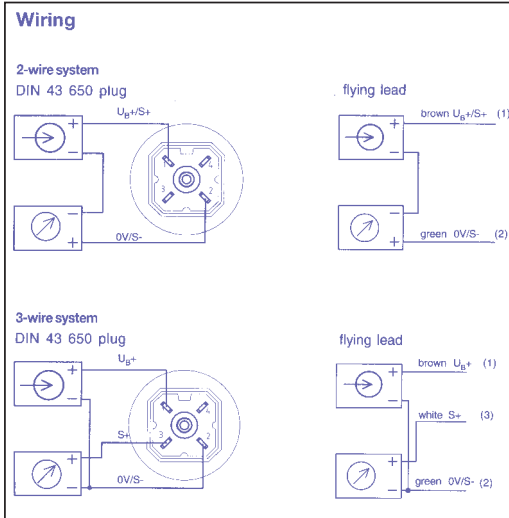
LENZ Pressure Transducers are now available using a flexible modular assembly system. All components from the process connection, pressure range, electrical connection and cable length are modular. You can now select the range or connection that meets your needs.

Your selection will generate the LENZ type code. Order this model code and we will build your pressure transducers.

Ordering Code

LZT - A - P - 3M - 4N - II - N







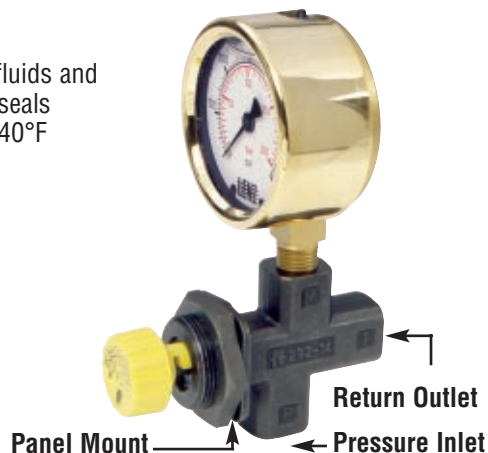
Gauge Isolator Valve

Model No. GV-4
Single Station
Specifications

- Push knob to read
- Can be locked in actuated position
- Panel or in-line mounting
- Made of press forged steel
- 5800 PSI working pressure
- Maximum panel thickness 5/16"
- 1/4" NPT ports
- Viton seals

- Compatible with petroleum based fluids and other fluids compatible with Viton seals
- Operating temperature -30°F to +240°F (-22C to +115C)
- Ports:** 1/4" NPT
- Working Pressure:** 5800 PSI

Gauge isolators prevent damaging pressure surges from reaching the gauge except when a reading is required. They help to extend gauge life and maintain accuracy.



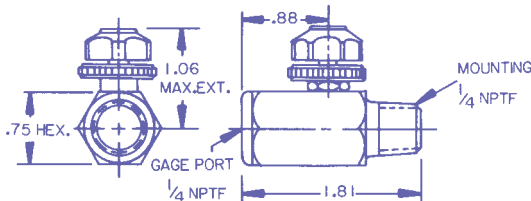
Gauge Isolator Valve

Model # GV-4R

The LENZ Gauge Isolator Valve is a simple effective throttling and shut-off device to isolate and protect hydraulic pressure gauges. It will quickly and positively shut off the gauge from the line pressure or, when partially opened, reduce or eliminate gauge pointer pulsations. The leakproof needle stem is internally retained.

Features:

- Steel Construction
- 5000 PSI Maximum System Pressure
- Viton Seals-Compatible With Most Fluids
- Finger Tip Adjustment and Locknut



Siphons

LENZ Siphons should be used to protect pressure instruments in live steam service or other hot vapor applications. The vapor condenses inside the coil of the siphon which prevents the high temperature vapors from reaching the sensing element of the pressure instrument.



MODEL NUMBER	DESCRIPTION
4-SIP	1/4" x 1/4"-MALE (STEEL)
4-SIP-SS	1/4" x 1/4"-MALE (STAINLESS)
8-SIP	1/2" x 1/2"-MALE (STEEL)
8-SIP-SS	1/2" x 1/2"-MALE (STAINLESS)

Couplings

(to attach pressure gauges to siphons)

MODEL NUMBER	DESCRIPTION
4-PC	1/4" x 1/4"-MALE (STEEL)
4-PC-SS	1/4" x 1/4"-MALE (STAINLESS)
8-PC	1/2" x 1/2"-MALE (STEEL)
8-PC-SS	1/2" x 1/2"-MALE (STAINLESS)

Chemical Seals

Chemical seals also referred to as diaphragm seals, are used to isolate pressure gauges from clogging and /or corrosive media. The upper seal is also filled with silicone fluid. Any pressure applied by the process medium to the seal diaphragm is hydraulically transmitted to the pressure element of the gauge, thus generating a pressure reading on the pressure gauge. Factory Installed. Must be ordered with gauges.



Lenz Heavy Duty Seals

MODEL NUMBER	DESCRIPTION
HDS-4x4	1/4" x 1/4" FEMALE (STEEL)
HDS-4x4-SS	1/4" x 1/4" FEMALE (STAINLESS)
HDS-8x8	1/2" x 1/2" FEMALE (STEEL)
HDS-8x8-SS	1/2" x 1/2" FEMALE (STAINLESS)

Lenz Mini-Seal

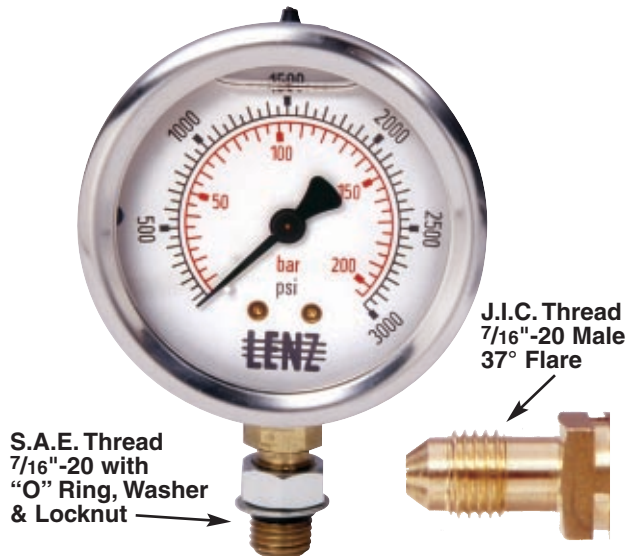
MODEL NUMBER	DESCRIPTION
MS-4x4-SS	1/4" x 1/4" FEMALE (STAINLESS)
MS-4x8-SS	1/4" x 1/2" FEMALE (STAINLESS)
MS-8x8-SS	1/2" x 1/2" FEMALE (STAINLESS)



Optional Threads

Lenz Pressure gauges can be ordered with special thread connections. (50 Piece Minimum)

- 1) **S.A.E. Thread:** (7/16"-20 w/ "O"-Ring, washer & locknut)
Example: SAE-AFC-3M-25
- 2) **J.I.C. Thread:** (7/16"-20 Male 37° Flare)
Example: JIC-AFC-3M-25RC
- 3) **B.S.P. Thread:** (1/4"R-19, 1/4BSP-19, G-1/4")
Example: BSP-AFC-3M-25



Maximum Indicating Dial

Lenz's maximum indicating dial follows the regular (black) pointer on increasing pressure and remains at the highest point until it is reset by a knob at the front of the window, Silicone filled. Excellent for determining pressure surges or spikes in system.

Example: BAC-5M-25-MID
Available only on BAC & LZ Series
(Installed at Factory)



Adapters



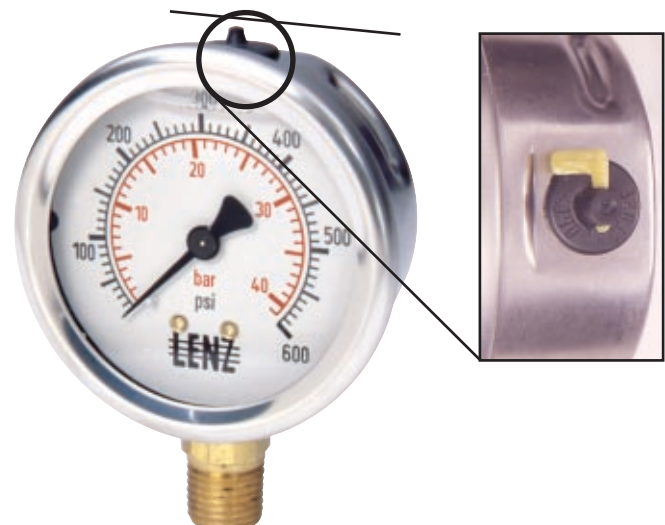
MODEL NUMBER	DESCRIPTION
4-PC	1/4" NPT FEMALE x 1/4" NPT FEMALE PIPE COUPLER
3255-4-4	1/4" NPT FEMALE x 7/16"-20 MALE JIC 37° FLARE
4-4 APC	1/4" NPT FEMALE x 7/16"-20 S.A.E. MALE WITH O-RING
4-4 BSP	1/4" NPT FEMALE x 1/4"-19 BSP THREADS

New Vent Plug for Low Pressure Gauges

LENZ introduces a new "Open/Close" Vent plug for low pressure applications less than 100 PSI. In order for the pressure gauge to have accurate readings, vent needs to be in open position.

After shipment, pointer may not rest at zero due to internal case pressure buildup caused by temperature variations. Accuracy may be significantly reduced. To restore gauge to operating condition, move lever of vent plug to "Open" position.

If gauge is not mounted upright, move lever to closed position after venting. Repeat procedure at regular intervals to maintain pressure gauge accuracy.



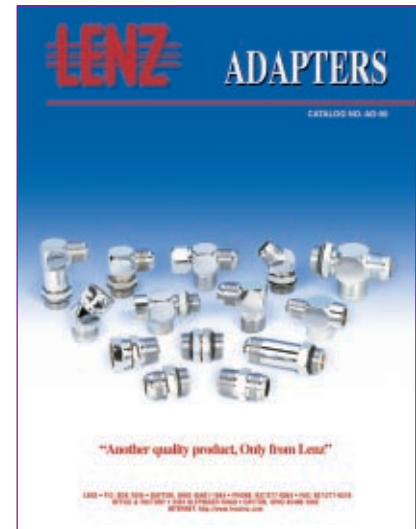
Request these other ~~LENZ~~ Catalogs



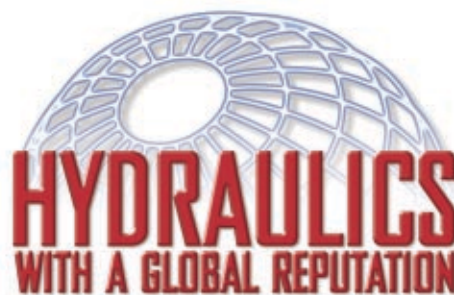
CATALOG 127R-A
60 Pgs. "O"-Ring Seal
Tube Fittings, 37° Flare
Tube Fittings, Pipe Fittings,
Adapters & Accessories.



CATALOG HP-401
32 Page. High & Medium
Pressure Hose Fittings &
Assemblies, Adapters.



CATALOG AD-90
48 Pgs. Adapters, Pipe
Fittings, Adapter Unions,
J.I.C.-S.A.E. Tube Fittings,
offered in Steel &
Stainless Steel.



Distributed By:



PHONE: 937/277-9364 FAX: 937/277-6516 www.lenzinc.com